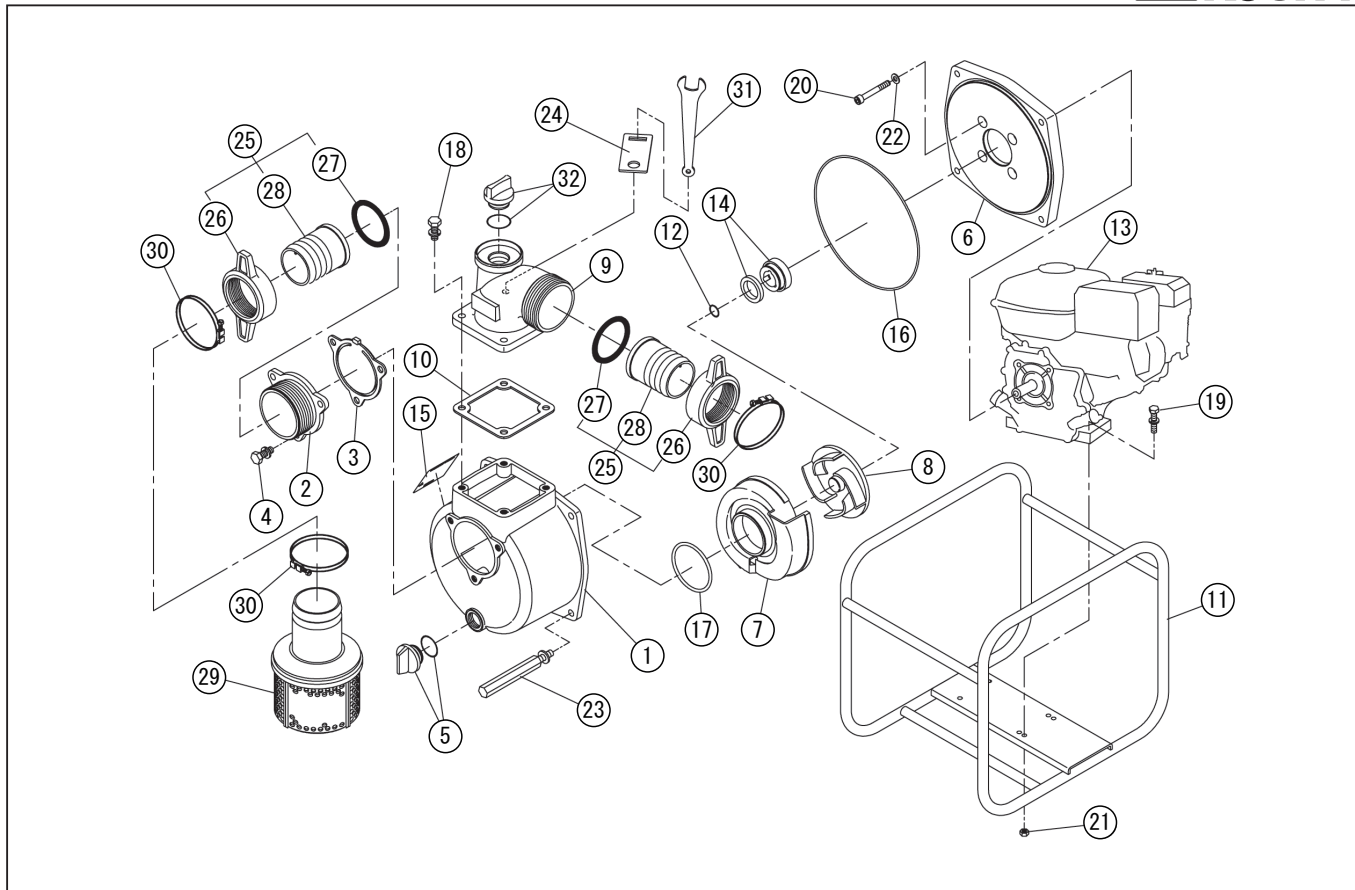


DWG No.012900107 MODELE:STR-80EX FORM:STR-80EX-BAA-1

No.	PARTS CODE	PARTS NAME	QTY	MATERIAL/SIZE	LIST PRICE	REMARKS
1	0120196	PUMP CASING	1	ADC "MADE IN JAPAN"		
2	0112797	SUCTION FRANGE	1	ADC		
3	0112799	CHECK VALVE	1	NBR		
4	743119061	BOLT	3	M10×25 SWRM		
5	0118078	20A PLUG SET	1			
6	0120931	FLANGE BRACKET	1	ADC		
7	0115541	VOLUTE CASING	1	FCD450		
8	0115539	IMPELLER	1	FCD450		
9	0110570	DELIVERY FLANGE	1	ADC ·KOSHIN		
10	0110584	FLANGE PACKING	1	CR		
11	0128044	BASE SET	1			
12	0110491	IMPELLER ADJUSTING WASHER	3	BSP1 T0.3		
13	0121395	ENGINE EX170DM2210(EX17)	1	OS EPA EU		
14	0115159	SEH-50T MECHANICAL SEAL	1	HJ-20(B)BSIC		
15	0120803	NAME PLATE	1			
16	0115015	O-RING 1517-46.5	1	1517-46.5 NBR		
17	0113989	O-RING P74	1	P74 NBR		
18	743119063	BOLT	4	M10×30 SWRM		
19	743119053	BOLT	4	M8×40 SWRM		
20	734532075	SOCKET BOLT	4	M8×55SCM CS		
21	827419008	NUT	4	M8		
22	854255008	SEAL WASHER	4	φ8		
23	0115542	LONG BOLT M10X160	4	M10×160		
24	0115588	SPANNER HOLDER 17MM	1			
25	0127125	COUPLING SET	2			
26	0114375	COUPLING	2	ABS		
27	0110301	NIPPLE	2	ABS		
28	0114378	COUPLING PACKING	2	NBR,HS65±5		
29	0113242	STRAINER	1	S P C		
30	940019090	HOSE BAND	3	φ90		



DWG No.012900107 MODELE:STR-80EX FORM:STR-80EX-BAA-1

No.	PARTS CODE	PARTS NAME	QTY	MATERIAL/SIZE	LIST PRICE	REMARKS
31	0115589	SPANNER 17MM	1	17MM		
32	0118079	25A PLUG SET	1			
	0114713	CAUTION LABEL	1			
	0114718	CE MARK LABEL	1			
	0116434	EU NOISE LABEL (108)	1			
	0112099	SE NAME PLATE	1			

◆ Bare engine can not be supplied