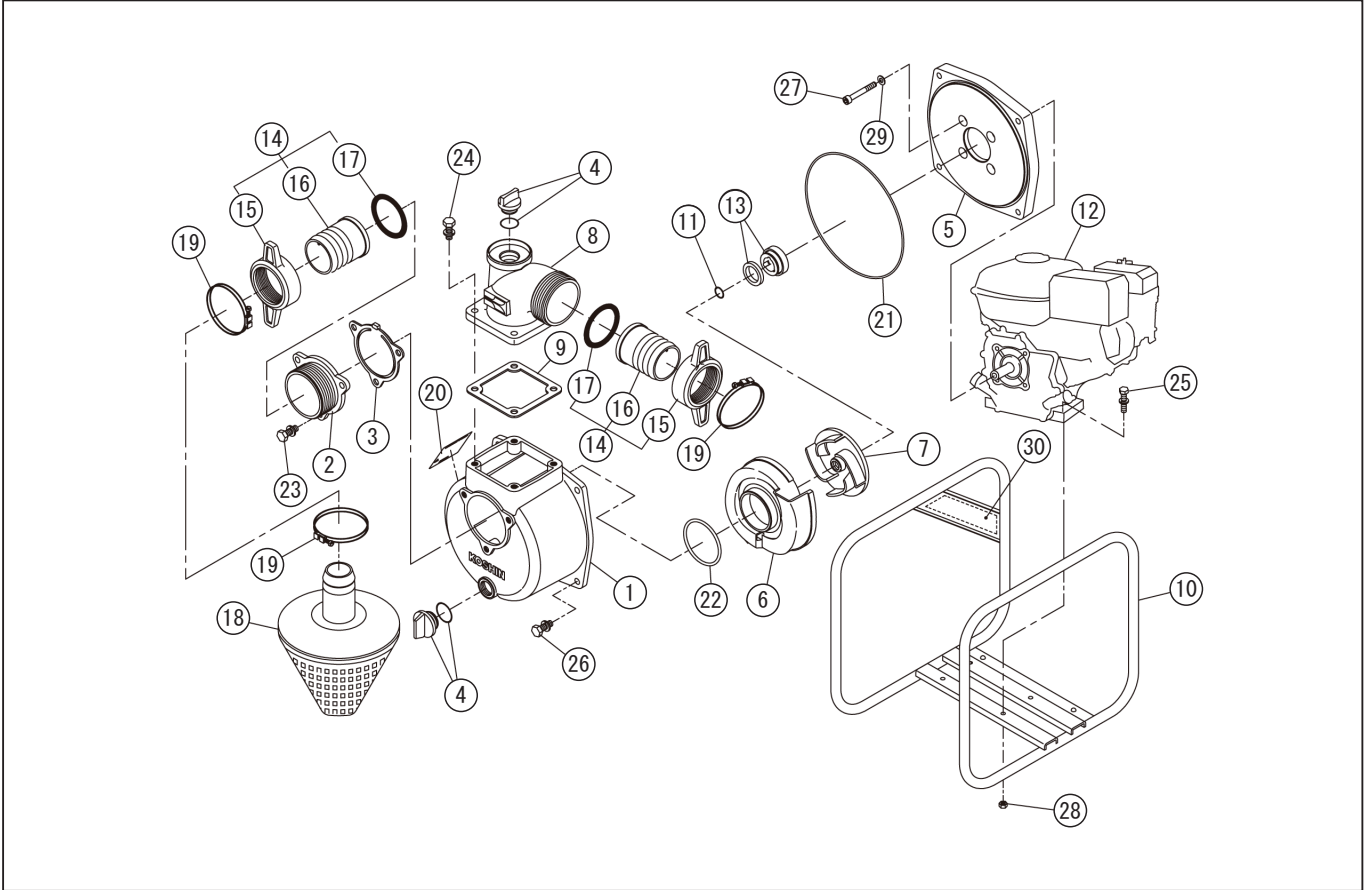


DWG No.012935101 MODELE: STV-50E FORM: STV-50E-BAA-0

No.	PARTS CODE	PARTS NAME	QTY	MATERIAL/SIZE	LIST PRICE	REMARKS
1	0120195	PUMP CASE	1	ADC "MADE IN JAPAN"		
2	0112662	SE-50X SUCTION FLANGE	1	ADC		
3	0112665	CHECK VALVE	1	NBR		
4	0118078	20A PLUG SET	2			
5	0114027	FLANGE BRACKET	1	ADC		
6	0115169	VOLUTE CASING	1	FCD450		
7	0121342	IMPELLER	1	FCD450		
8	0110556	DELIVERY FLANGE	1	ADC		
9	0110541	FLANGE PACKING	1	CR 70°		
10	0128314	BASE SET	1			
11	0110491	IMPELLER ADJUSTING WASHER	3	BSP1 T0.3		
12	0121273	KOSHIN K180-3ENGINE	1	EPA/EU OA EU		
13	0115159	SEH-50T MECHANICAL SEAL	1	HJ-20(B)BSIC		
14	0127122	COUPLING SET	2			
15	0122496	COUPLING	2	ABS		
16	0122497	NIPPLE	2	ABS		
17	0113391	COUPLING PACKING	2	NBR		
18	0127123	STRAINER SET	1	PP		
19	940019060	HOSE BAND	3	φ 60		
20	0122666	NAME PLATE	1			
21	0115014	O-RING 1517-42.5	1	1517-42.5 NBR		
22	0112792	O-RING	1	P54 NBR		
23	743119045	BOLT	3	M 8 × 20 SWRM		
24	743119047	BOLT	4	M8 × 25 SWRM		
25	743119051	BOLT	4	M 8 × 35 SWRM		
26	743119046	BOLT	4	M8 × 22 SWRM		
27	734532076	SOCKET BOLT	4	M8 × 60 SCM CS		
28	827419008	NUT	4	M8 SWRM		
29	854255008	SEAL WASHER	4	φ 8		
30	0122307	SIDE PANEL LABEL	1			

◆ Bare engine can not be supplied



DWG No.012935101 MODELE: STV-50E FORM: STV-50E-BAA-0

No.	PARTS CODE	PARTS NAME	QTY	MATERIAL/SIZE	LIST PRICE	REMARKS
	0114718	CE MARK LABEL	1			
	0114713	CAUTION LABEL	1			
	0116432	EU NOISE LABEL (102)	1			
	0114734	ENGINE CAUTION LABEL A	1			
	0114735	ENGINE CAUTION LABEL B	1			

◆ Bare engine can not be supplied