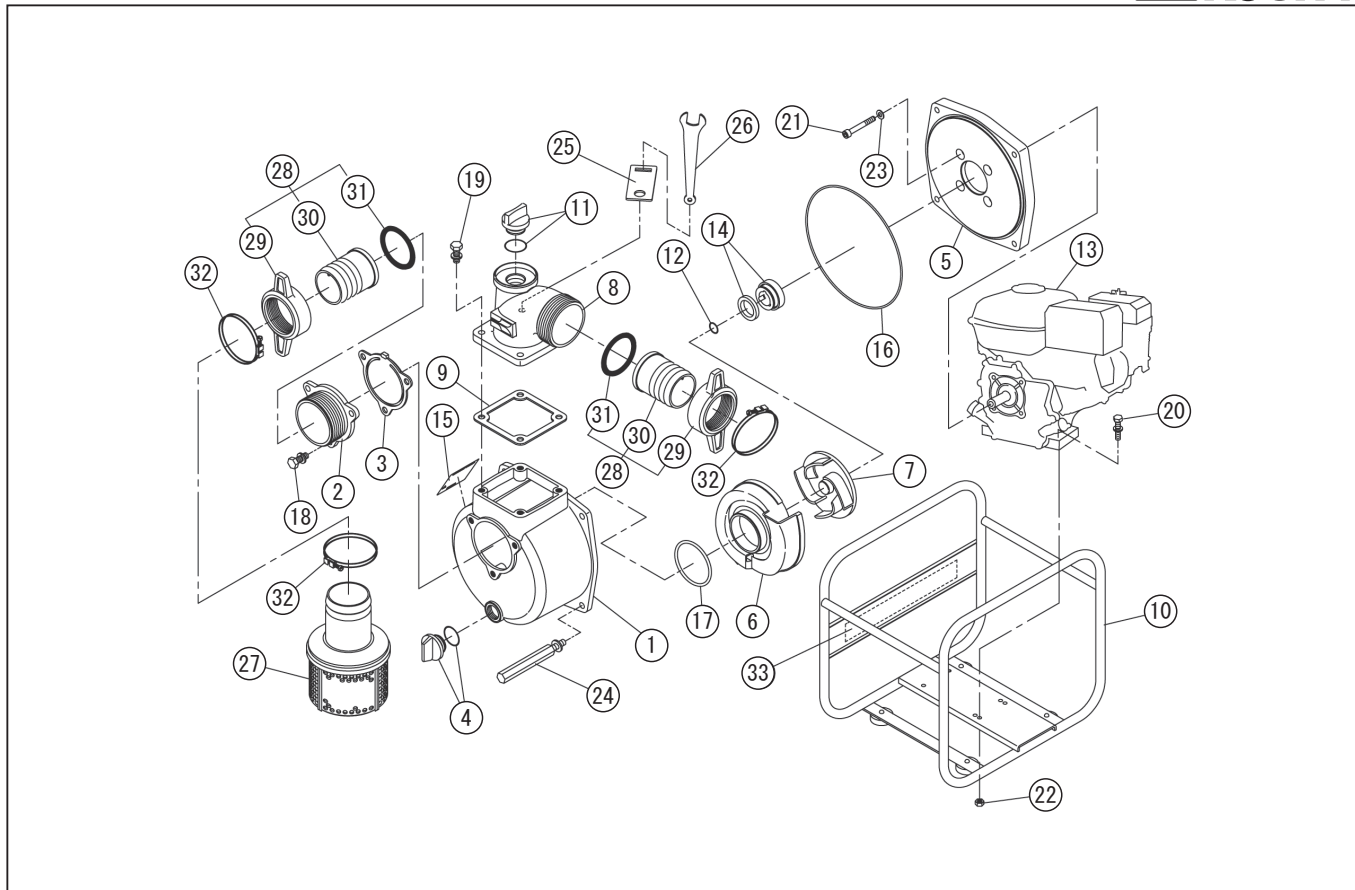


DWG No.012912207 MODELE : STV-80X FORM : STV-80X-BAA-2(K180-D2)

| No. | PARTS CODE | PARTS NAME | QTY | MATERIAL/SIZE | REMARKS |
|-----|------------|---------------------------|-----|---------------------|---------|
| 1 | 0120196 | PUMP CASING | 1 | ADC "MADE IN JAPAN" | |
| 2 | 0112797 | SUCTION FRANGE | 1 | ADC | |
| 3 | 0112799 | CHECK VALVE | 1 | NBR | |
| 4 | 0118078 | 20A PLUG SET | 1 | | |
| 5 | 0120931 | FLANGE BRACKET | 1 | ADC | |
| 6 | 0115541 | VOLUTE CASING | 1 | FCD450 | |
| 7 | 0115539 | IMPELLER | 1 | FCD450 | |
| 8 | 0110570 | DELIVERY FLANGE | 1 | ADC | |
| 9 | 0110584 | FLANGE PACKING | 1 | CR | |
| 10 | 0128367 | BASE SET | 1 | | |
| 11 | 0118079 | 25A PLUG SET | 1 | | |
| 12 | 0110491 | IMPELLER ADJUSTING WASHER | 3 | BSP1 T0.3 | |
| 13 | 0121273 | K180-D2 ENGINE | 1 | EPA/EU OA EU | |
| 14 | 0115159 | SEH-50T MECHANICAL SEAL | 1 | HJ-20(B)BSIC | |
| 15 | 0121417 | NAME PLATE | 1 | | |
| 16 | 0115015 | O-RING 1517-46.5 | 1 | 1517-46.5 NBR | |
| 17 | 0113989 | O-RING P74 | 1 | P74 NBR | |
| 18 | 743119061 | BOLT | 3 | M10×25 SWRM | |
| 19 | 743119063 | BOLT | 4 | M10×30 SWRM | |
| 20 | 743119053 | BOLT | 4 | M8×40 SWRM | |
| 21 | 734532075 | SOCKET BOLT | 4 | M8×55SCM CS | |
| 22 | 827419008 | NUT | 4 | M8 SWRM | |
| 23 | 854255008 | SEAL WASHER | 4 | φ8 | |
| 24 | 0115542 | LONG BOLT M10X160 | 4 | M10×160 | |
| 25 | 0115588 | SPANNER HOLDER 17MM | 1 | | |
| 26 | 0115589 | SPANNER 17MM | 1 | 17MM | |
| 27 | 0113242 | STRAINER | 1 | SPC | |
| 28 | 0127125 | COUPLING SET | 2 | | |
| 29 | 0122500 | COUPLING | 2 | ABS | |
| 30 | 0122501 | NIPPLE | 2 | ABS | |

◆ Bare engine can not be supplied



DWG No.012912207 MODELE : STV-80X FORM : STV-80X-BAA-2(K180-D2)

| No. | PARTS CODE | PARTS NAME | QTY | MATERIAL/SIZE | REMARKS |
|-----|------------|---------------------|-----|---------------|---------|
| 31 | 0114378 | COUPLING PACKING | 2 | NBR.HS65±5 | |
| 32 | 940019090 | HOSE BAND | 3 | φ 90 | |
| 33 | 0114713 | CAUTION LABEL | 1 | | |
| 34 | 0116283 | EU NOISE LABEL(105) | 1 | | |
| 35 | 0115652 | CE MARK LABEL | 1 | | |
| 36 | 0120428 | SIDE PANEL LABEL | 1 | | |

◆ Bare engine can not be supplied