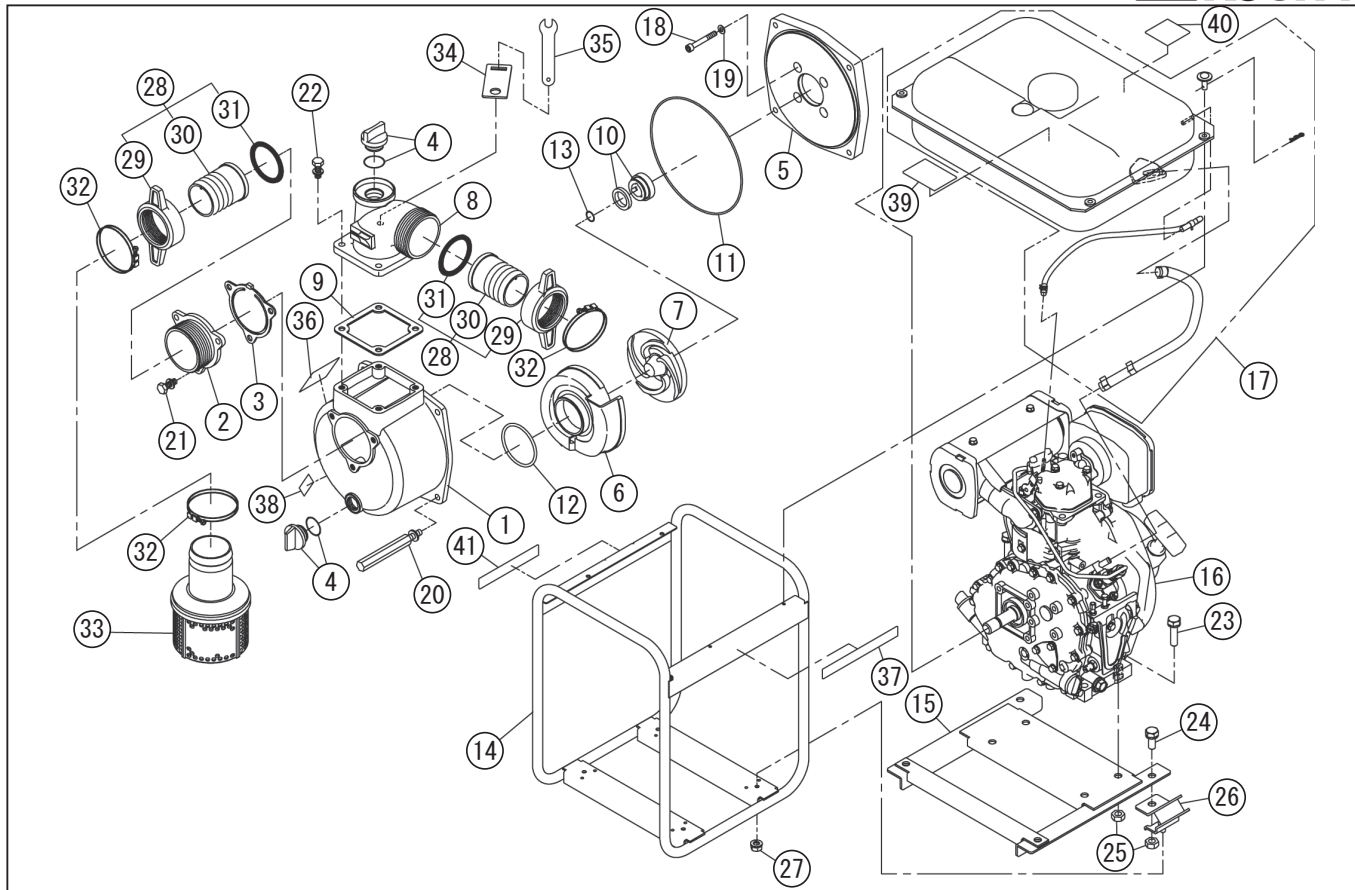


DWG No.012942901 MODELE:STY-50D FORM:STY-50D-BAB-0

No.	PARTS CODE	PARTS NAME	QTY	MATERIAL/SIZE	REMARKS
1	012019502	PUMP CASING	1	ADC	
2	011266204	SUCTION FLANGE (G)	1	ADC	
3	011266503	CHECK VALVE	1	NBR	
4	011807802	20A PLUG SET	2		
5	012309801	FRANGE BRACKET	1	ADC	
6	012312201	VOLUTE CASING	1	FCD450	
7	012312301	IMPELLER	1	FCD450	
8	011055605	DELIVERY FLANGE	1	I=0.63 S=0.38	
9	012323401	FLANGE PACKING	1	CR 70 °	
10	011515902	MECHANICAL SEAL	1		
11	011501401	O-RING	1	1517-42.5 NBR	
12	011279202	O-RING	1	P54 NBR	
13	012325301	ADJUSTING WASHER	3	BSP1 T=0.3	
14	012728701	BASE SET	1		
15	012728801	DAMPING BASE SET	1		
16	012315801	L48N6-PKS DESEL ENGINE	1		
17	012728901	LARGE FUEL TANK SET (L48N6-PKS)	1		
18	734532074	SOCKET BOLT	4	M 8 × 5 0 SCM CS	
19	854255008	SEAL WASHER	4	φ8	
20	011511501	LONG BOLT	4	M 8 × 1 1 8	
21	743119045	BOLT	3	M8×20 SWRM	
22	743119047	BOLT	4	M8×25 SWRM	
23	743119067	BOLT	4	M10×40 SWRM	
24	743119061	BOLT	4	M10×25 SWRM	
25	827419010	NUT	8	M10 SWRM	
26	011617202	CUSHION RUBBER	4	CR 60 °	
27	842319008	SPRING NUT	4	SWRM	
28	012730501	COUPLING SET	1		
29	011339002	COUPLING	2	ABS	
30	011035605	HOSE NIPPLE	2	ABS	

◆ Bare engine can not be supplied



DWG No.012942901 MODELE:STY-50D FORM:STY-50D-BAB-0

No.	PARTS CODE	PARTS NAME	QTY	MATERIAL/SIZE	REMARKS
31	012321101	COUPLING PACKING	2	NBR	
32	940019060	HOSE BAND	3	φ 60	
33	011750503	STRAINER SET	1		
34	011523001	SPANNER HOLDER	1	13MM	
35	011518501	SPANNER	1	13MM	
36	012314501	NAME PLATE	1		
37	012323801	SEY-D SIDE PANEL LABEL	1		
38	012281401	LABEL	1		
39	012313901	DIESEL CAUTION LABEL1 (RUS)	1		
40	012314001	DIESEL CAUTION LABEL2 (RUS)	1		
41	012325801	DIESEL CAUTION LABEL3 (RUS)	1		

◆ Bare engine can not be supplied