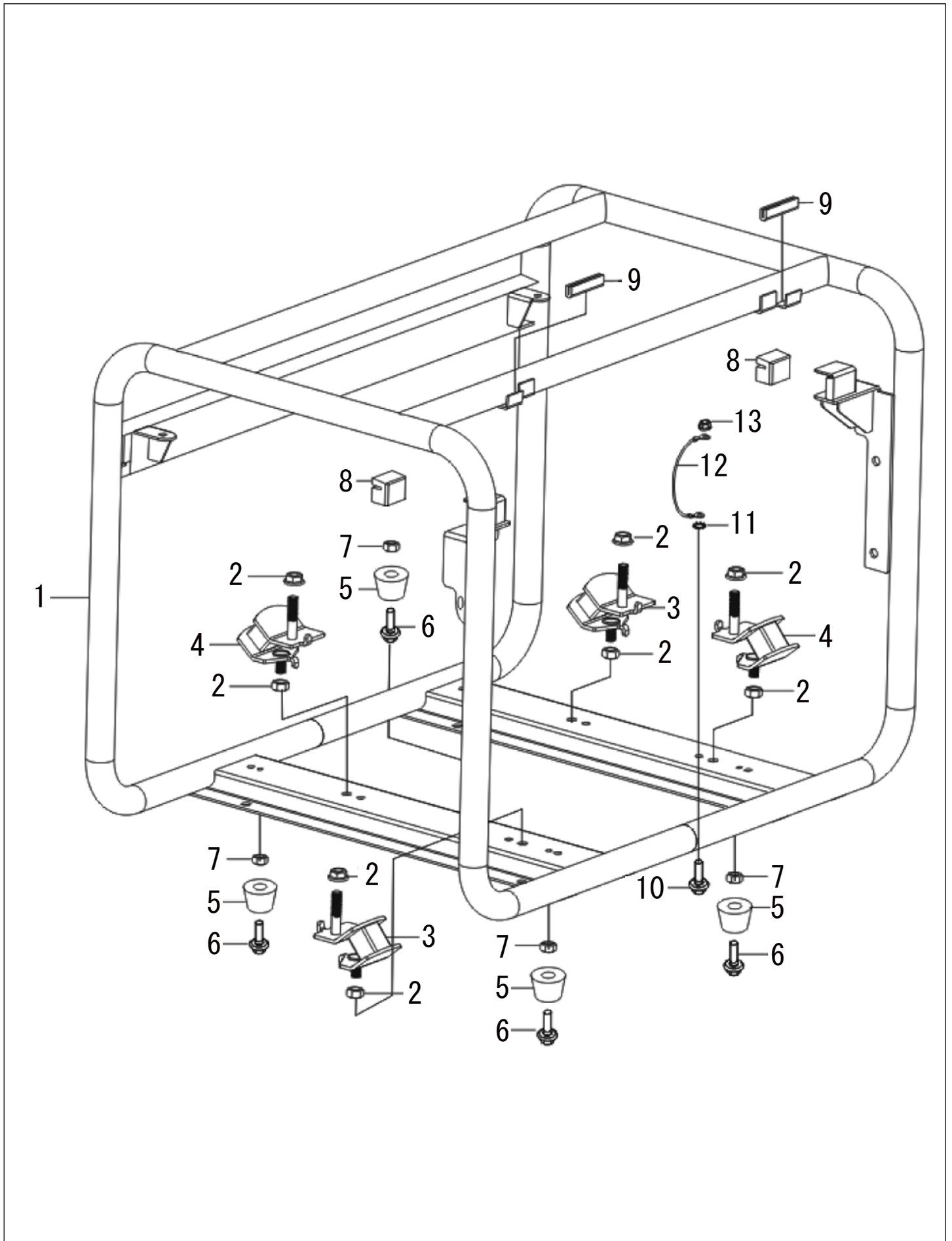


No.	PARTS CODE	PARTS NAME	QTY	MATERIAL/SIZE	REMARKS
1	100144201	MUFFLER ASSEMBLY	1		
2	100047101	BRACKET,MUFFLER	1		
3	100000005	BOLT	2		
4	100133101	BOLT	1		
5	100047301	RUBBER GASKET,MUFFLER	1		
6	100047402	COVER,FUEL TANK	1		
7	100047501	FUEL FILTER	1		
8	100047604	TANK,FUEL	1		
9	100042201	BOLT	2		
10	100051101	WASHER	2		
11	100047801	BUSH	2		
12	100047901	SLEEVE,FUEL TANK RUBBER	2		
13	100144301	VALVE,FUEL SHUT OFF	1		
14	100007701	CLAMP	1		
15	100048102	FUEL GAUGE	1		
16	100048201	SCREW	2		
17	100144401	FUEL FILTER	1		

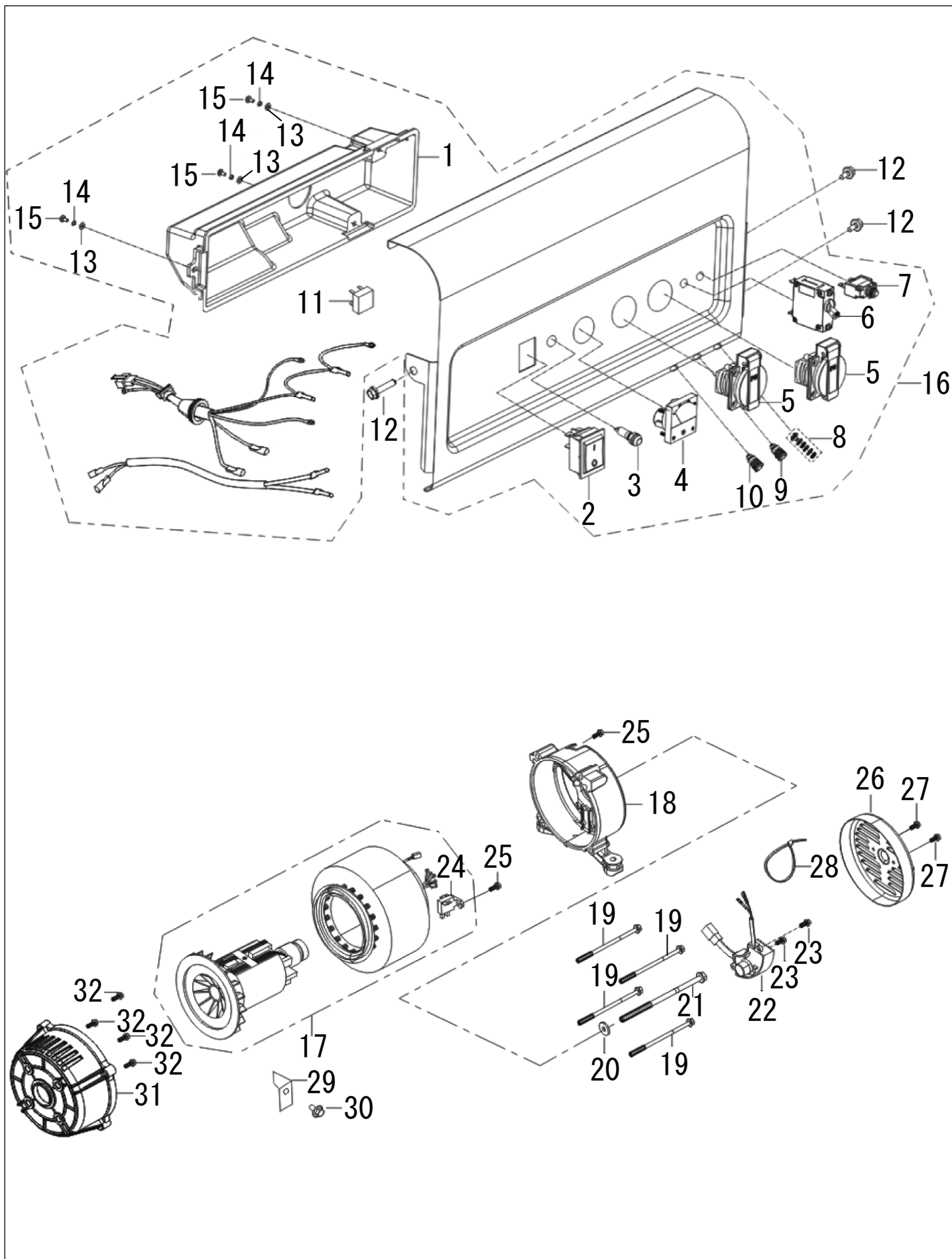


## 2

## FRAME.

GVH-3000-BAC

No.	PARTS CODE	PARTS NAME	QTY	MATERIAL/SIZE	REMARKS
1	100145301	FRAME ASSY,ENGINE	1		
2	065044102	SCREW	8		
3	065044202	CUSHION,ENGINE FRAME	2		
4	100137101	CUSHION,ENGINE FRAME RIGHT	2		
5	100060001	SEAT,ENGINE FRAME SHOCK ABSORPTION	4		
6	065039701	BOLT	4		
7	065039801	NUT	4		
8	100000501	CUSHION,ENGINE FUEL TANK	2		
9	100077201	SLEEVE,RUBBER	2		
10	100006101	BOLT	1		
11	100006901	WASHER	1		
12	065044501	FLANGE NUT	1		
13	100047201	NUT	1	M6	



No.	PARTS CODE	PARTS NAME	QTY	MATERIAL/SIZE	REMARKS
1	065040001	CASE,PANEL REAR	1		
2	065040101	SWITCH ASS.	1		
3	065040201	POWER LIGHT	1		
4	065040301	VOLTMETER	1		
5	065040701	120 VOLT DUPLEX RECEPTACLE	2		
6	065040801	SINGLE-SRAGE CIRCUIT BREAKERS	1		
7	065040901	CIRCUIT BREAKER 20 AMP 1 POLE	1		
8	065040601	GROUNDING TERMINAL COMBINATION	1		
9	065040501	NEGATIVE TERMINAL	1		
10	065040401	POSITVE TERMINAL	1		
11	065041101	RECTIFIER BRIDGE	1		
12	100000501	SCREW	3	M6X12	
13	065041201	WASHER	3		
14	065041301	WASHER,SPRING	3		
15	065041401	SCREW	3		
16	100144701	PANEL,CONTROL,ASSY.	1		
17	100144801	MOTOR ASSY.	1		
18	065041601	BRACKET,MOTOR	1		
19	065041901	BOLT	4		
20	065042101	WASHER	1		
21	100144901	BOLT	1		
22	065042201	REGULATOR,VOLTAGE	1		
23	100005901	BOLT	2	M5X12	
24	065043101	BRUSH SUBASSEMBLY,CAROBON	1		
25	100005901	BOLT	2	M5X12	
26	065042401	COVER,MOTOR TAIL	1		
27	100005901	BOLT	2	M5X12	
28	065047201	BAND	1		
29	065042501	STOPPER,MOTOR RIGHT COVER	1		
30	100000501	BOLT	1	M6X12	
31	100145001	COVER,MOTOR FRONT END	1		
32	100132701	BOLT	4		