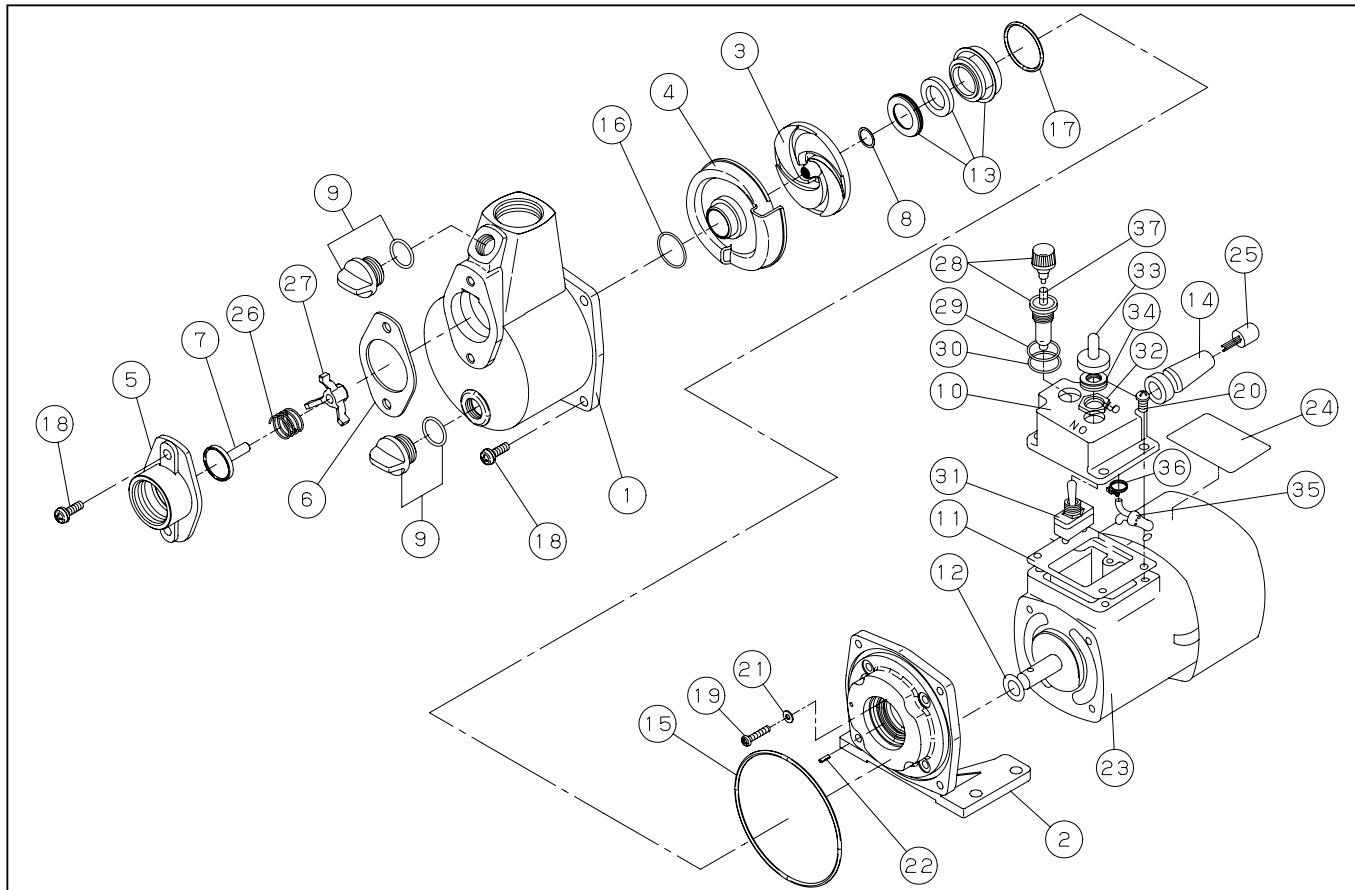


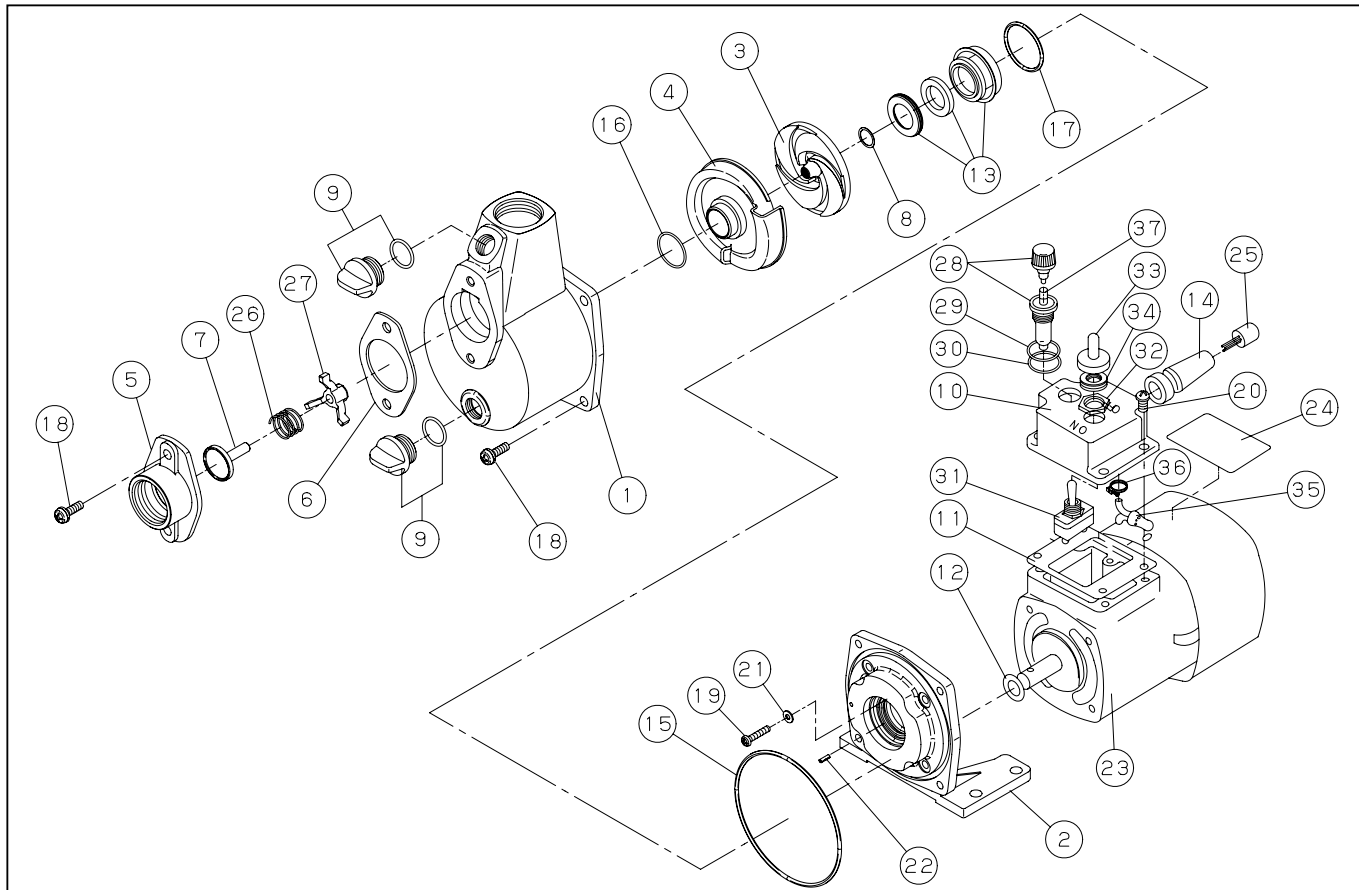
FS-24D



DWG No.014859125 MODEL:FS-24D FORM:FS-24D-BAA-1

No.	PARTS CODE	PARTS NAME	QTY	MATERIAL	SIZE	REMARKS
1	014050102	PUMP CASING	1	AC7A		
2	014024511	FLANGE BRACKET	1	ADC		
3	014050802	IMPELLER	1	PPS		
4	014024706	VOLUTE CASING	1	PBT		
5	014025801	SUCTION FLANGE	1	AC2A		
6	014026201	FLANGE PACKING	1	NBR		
7	014026006	CHECK VALVE	1	YBSC2		
8	014025103	IMPELLER ADJUSTING WASHER	3	BS		
9	014801001	15A PLUG SET	2			
10	014025503	SWITCH BOX	1	PC		
11	014015902	TERMINAL PACKING	1	NBR		
12	014009502	PACKING GUM	1	NBR		
13	014049902	MECHANICAL SEAL	1	EH791-012		
14	004012601	CORD GUM FOR DC	1	NBR		
15	889955095	O-RING	1	NBR	G95	
16	014051101	VOLUTE CASING PACKING	1	NBR 60		
17	890155029	O-RING	1	NBR	S29	
18	707819057	+ SCREW	6	SWRM	M6X20	
19	703319105	+ SCREW	4	SWRM	M5X25	
20	703319101	+ SCREW	4	SWRM	M5X12	
21	854255005	SEAL WASHER	4		φ 5	
22	849805109	SPRING PIN	1	SUS	φ 3X10	
23	014027902	MOTOR	1			
24	014028406	NAME PLATE	1			
25	014039401	POWER CORD	1			
26	014026102	VALVE SPRING	1	PBW		
27	014025902	VALVE SLIDE	1	YBSC		
28	004010102	FUSE HOLDER	1	ECHO FH-001AF		
29	004002701	HOLDER WASHER	1	BS		
30	004002801	HOLDER PACKING	1	NBR		

FS-24D



DWG No.014859125 MODEL:FS-24D FORM:FS-24D-BAA-1

No.	PARTS CODE	PARTS NAME	QTY	MATERIAL	SIZE	REMARKS
31	004010202	SNAP SWITCH	1	WD1011 OR MJ4T-51CS		
32	004002502	SWITCH NUT	1	BS6 WITH HEXAGON FLANGE		
33	004002601	SWITCH GUM	1	NBR		
34	004003601	SWITCH SEAL	1			
35	944500005	SOLDERLESS CONNECTOR	1	CE-5		
36	940119010	HOSE BAND	1		φ 10	
37	945300017	FUSE	1	10A		
38	014055701	CARBON BRUSH	2	M3F	7X11X19.5/21	
	014036407	PACKING CASE	1			
	014030801	CAUTION LABEL	1			
	014034909	OPERATION MANUAL	1			