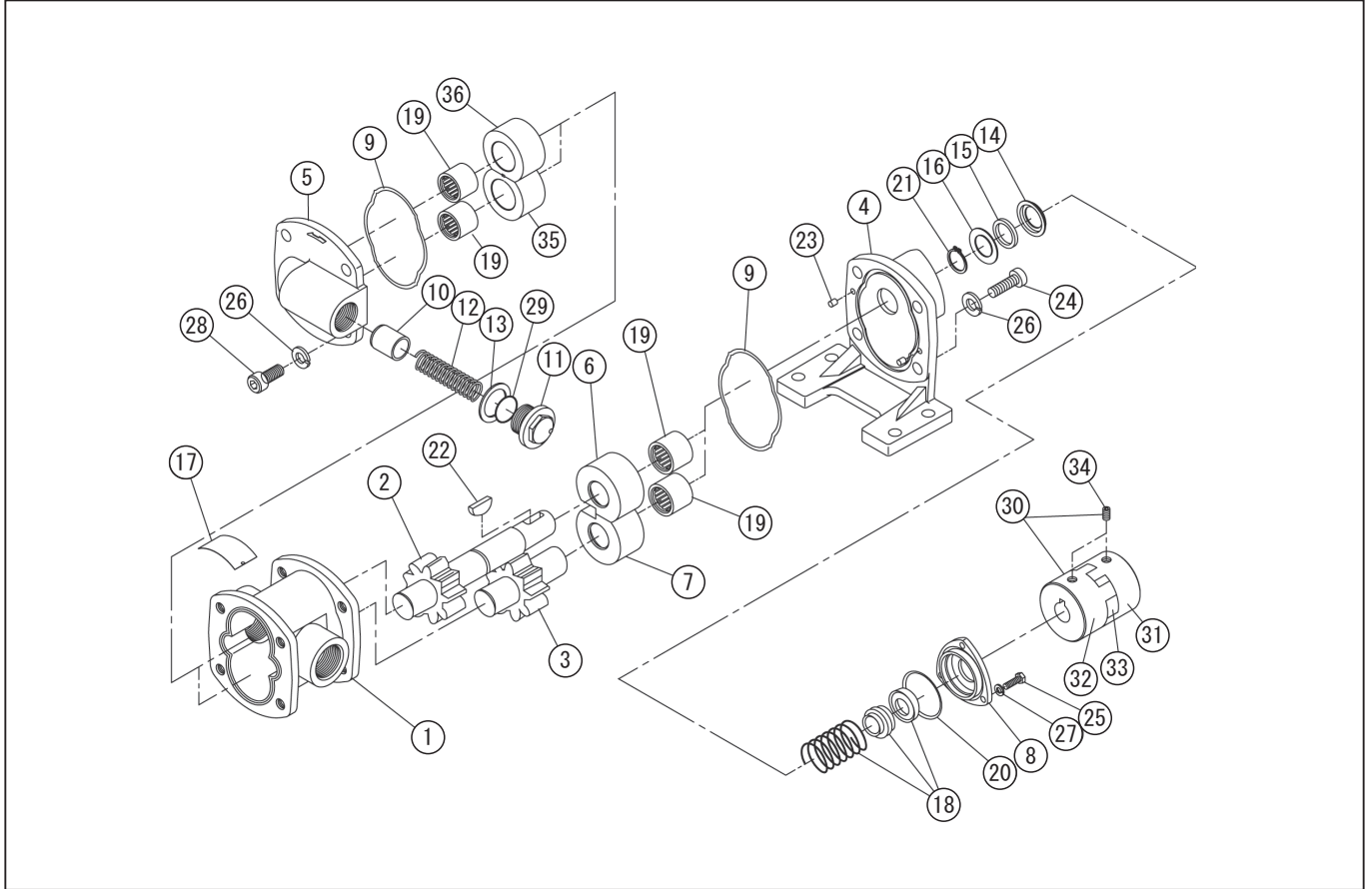


DWG No.007865918 MODEL : GL-25-5 FORM : GL-25-5-BAA-4

No.	PARTS CODE	PARTS NAME	QTY	MATERIAL/SIZE	REMARKS
1	0070002	GL-25 HOUSING	1	ADC12	
2	0070155	GL-25 DRIVE GEAR	1	SCM	
3	0070162	GL-25 2ND GEAR	1	SCM	
4	0070283	GL FOOT COVER	1	ADC12	
5	0070284	GL BYPASS COVER	1	ADC12	
6	0070317	GL THRUST BUSH	1	FC	
7	0070318	GL THRUST BUSH B	1	FC	
8	0070141	GL-FOOT CAP	1	ADC	
9	0070131	GL-13 PARTICULAR O-RING	2	NBR	
10	0070106	POPET	1	S35C	
11	0070105	BYPASS CAP	1	ZDC2	
12	0070077	GL- 13-5KG-RV SPRING	1	SWP	
13	0040038	FA-100 FLANGE PACKING	1		
14	0070133	GL-20 STOPPER	1	SUS	
15	0070126	GL-STOPPER PACKING	1	NBR	
16	0070125	GL- STOPPER PLATE	1	SPC	
17	0070322	G L - 2 5 - 5 NAME PLATE	1		
18	0070258	GL MECHANICAL SEAL	1	HG9ALN-3 φ 20	
19	927500021	NEEDLE BEARING	4	RLM202820	
20	890155045	O-RING	1	S45 NBR	
21	888327020	SHAFT STOP RING	1	20 SK	
22	887009007	WOODRUFF KEY	1	B4 × 19 S45C	
23	848609148	PARALLEL PIN	2	φ 5 × 6	
24	734532088	HEXAGON SOCKET BOLT	4	M10 × 20 SCM	
25	734532035	HEXAGON BOLT	3	M5 × 16 SCM	
26	843822010	SPRING WASHER	8	φ 10	
27	843822005	SPRING WASHER	3	φ 5	
28	734532090	HEXAGON SOCKET BOLT	4	M10 × 25 SCM	
29	0070095	BYPASS ADJUSTING PLATE	4	SPCC	
30	0078019	COUPLING SET	1		

◆ Bare engine can not be supplied



DWG No.007865918 MODEL : GL-25-5 FORM : GL-25-5-BAA-4

No.	PARTS CODE	PARTS NAME	QTY	MATERIAL/SIZE	REMARKS
31	0070349	COUPLING(MOTOR SIDE)	1	ZDC1	
32	0070358	COUPLING(PUMP SIDE)	1	ZDC1	
33	0070331	GL COUPLING PACKING	1	NBR	
34	713832026	HEXAGON SOCKET SCREW	1	M6 × 10 SCM	
35	0070319	GL THRUST BUSH A	1	FC	
36	0070320	GL THRUST BUSH B	1	FC	

◆ Bare engine can not be supplied