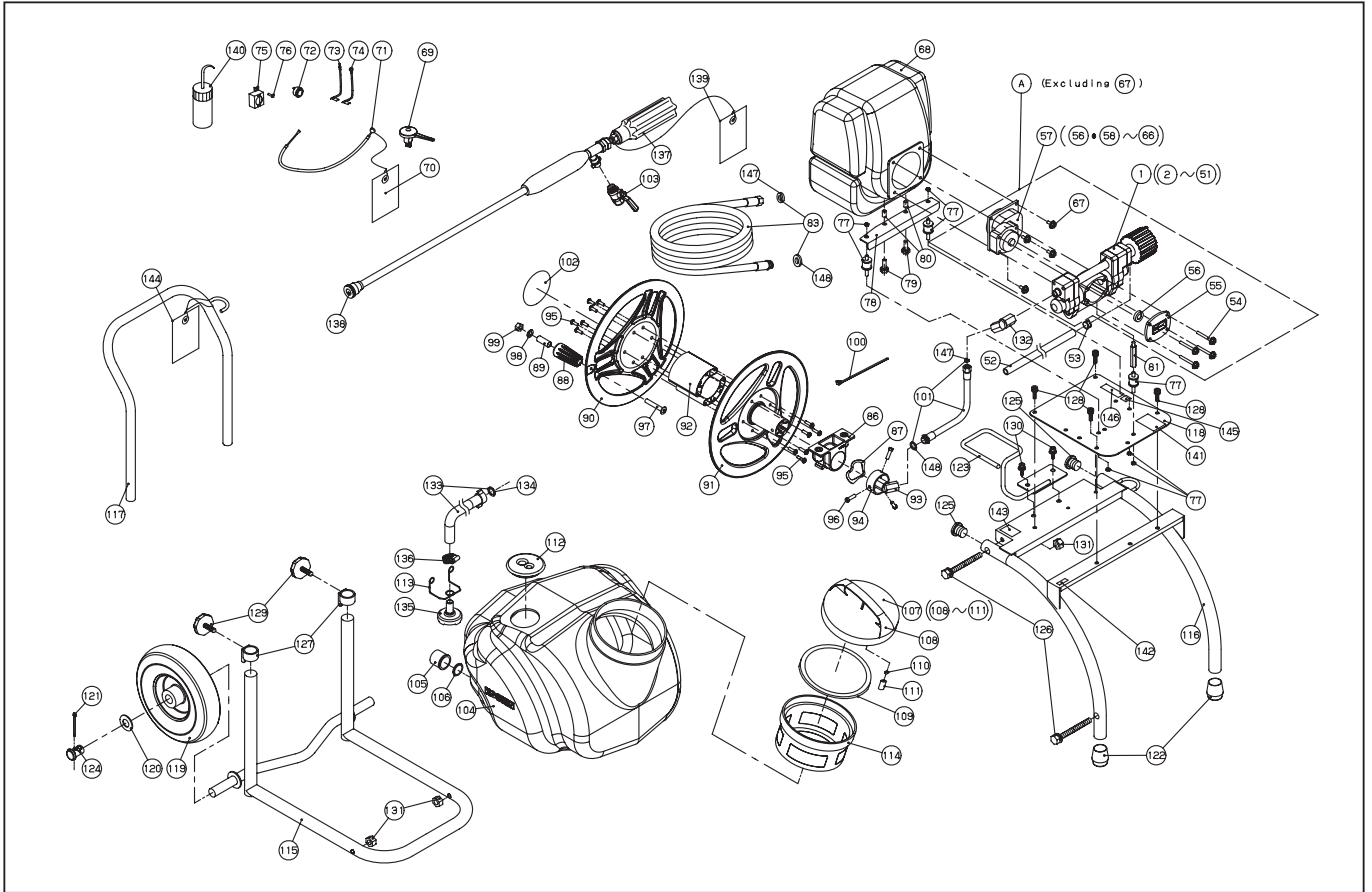


MS-ERH25TH85

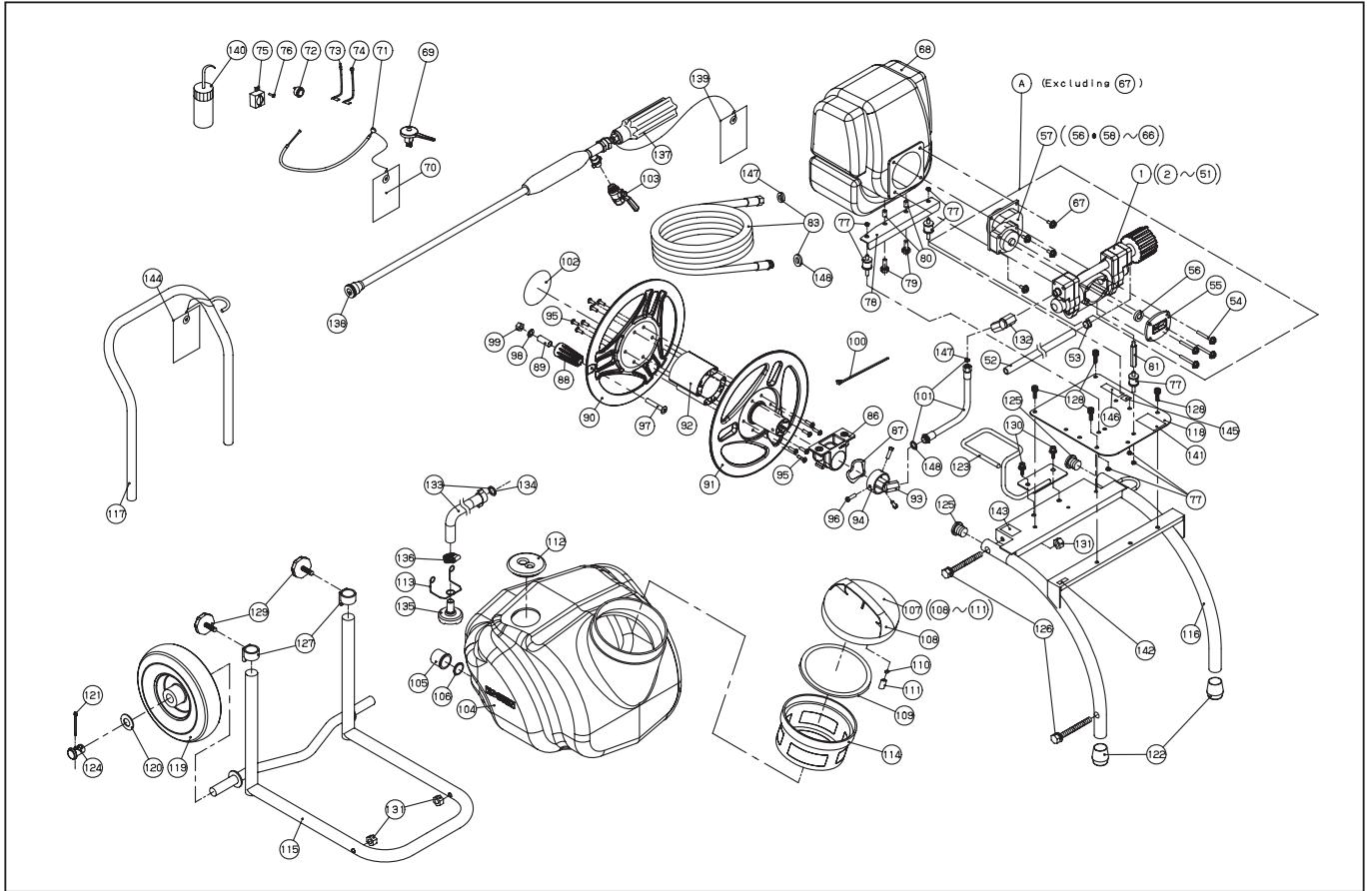


DWG No. 045870102 MODEL:MS-ERH25TH85 FORM: MS-ERH25TH85-BAA

No.	PARTS CODE	PARTS NAME	QTY	MATERIAL	SIZE	REMARKS
1	045843601	Pump Assy	1			No.2 ~ 51
52	045253601	Surplus Water Hose	1			
53	045150801	Clip	1	160-09-00		
54	045161001	Bolt M6X55	4	SUS	M6X55	
55	045127801	Pump Case Cover	1			
56	911806010	Bearing	3	6000ZZ		
57	045825303	Reduction Gear Assy	1			No.56,58 ~ 66
67	748405030	Bolt M6X16	4	SUS	M6X16	
68	045255601	Engine	1	GX25NT SAM3		
69	045258501	Throttle Lever	1			
70	045257701	Operation Tag (Throttle Lever)	1			
71	045171401	Throttle Wire	1			
72	045171501	Switch	1			
73	045171901	Switch Harness A	1			
74	045172001	Switch Harness B	1			
75	045171002	Switch Fitting	1			
76	748405015	Bolt M5X12	1	SUS	M5X12	
77	045143802	Rubber Mount	3			
78	045169701	Bracket Supporter	1			
79	722114062	Tapping Screw	2			
80	045170801	Support Bracket	2			
81	045155101	Hexagon Pillar	1			
82	045832502	Hose Reel Assy	1			No.83 ~ 102
83	045208801	Delivery Hose	1			
86	045250001	Hinge Holder	1			
87	857639040	Washer	1			
88	045136601	Handle	1	PA6		
89	045145502	Spacer Pipe	1			
90	045135001	Side Plate For Hose Reel (Front)	1			
91	045135101	Side Plate For Hose Reel(Rear)	1			

◆ Bare engine can not be supplied

MS-ERH25TH85

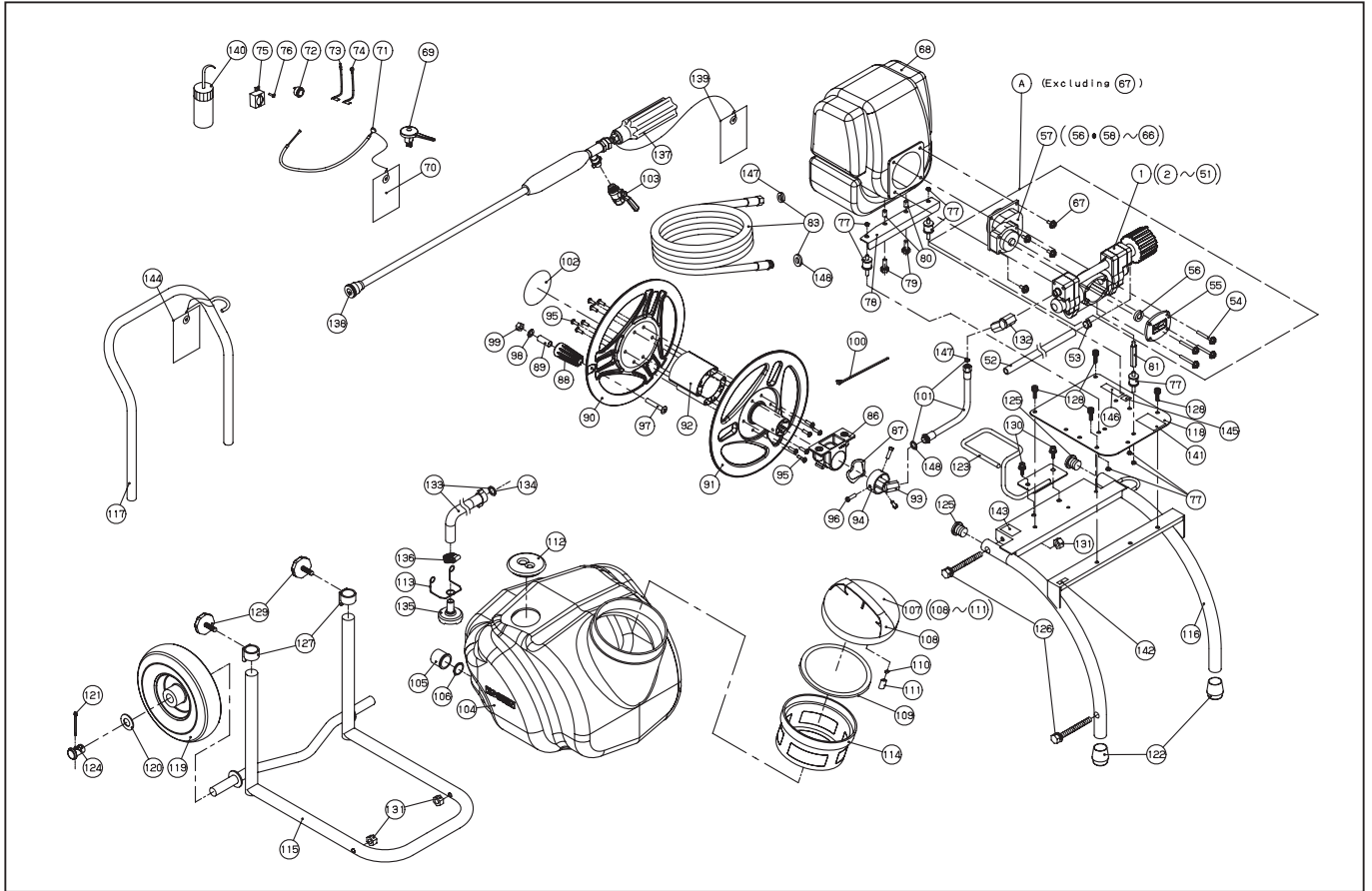


DWG No. 045870102 MODEL:MS-ERH25TH85 FORM: MS-ERH25TH85-BAA

No.	PARTS CODE	PARTS NAME	QTY	MATERIAL	SIZE	REMARKS
92	045208701	Reel Pipe	2			
93	045106101	Free Joint	1		8.5	
94	045150502	End Pipe	1			
95	707805049	Screw M5X20	12	SUS	M5X20	
96	735705101	Bolt	3			
97	703905134	+Screw M8X45	1	SUS	M8X45	
98	846205008	Washer M8	1		M8	
99	827405008	Nut M8	1	SUS	M8	
100	045162301	Repeat Tie	1			
101	045821001	Reel connection hose	1			
102	045165501	Reel Logo Label	1			
103	045213601	Ball Cock G 1/4	1			
104	045197101	Tank 25L	1			
105	045166601	Drain Cap	1			
106	045152101	Drain Cap Packing	1			
107	045832201	Tank Cap Assy	1			
108	045013402	Tank Cap	1			
109	045014002	Tank Cap Packing	1			
110	045078401	Sponge	1			
111	040048002	Strainer	1			
112	045208602	Tank Rubber Packing	1			
113	045162801	Strainer Clip	1			
114	045093302	Strainer	1			
115	045830402	Frame Assy A	1			
116	045843401	Frame Assy B	1			
117	045838801	Handle Assy	1			
118	045208502	Support Bracket	1			
119	045817801	Tyre ϕ 210	2	TUBELESS PR0801 ϕ 210		
120	846202020	Washer ϕ 20	2		ϕ 20X37XT3	
121	847302087	Pin	2		4X36	

◆ Bare engine can not be supplied

MS-ERH25TH85

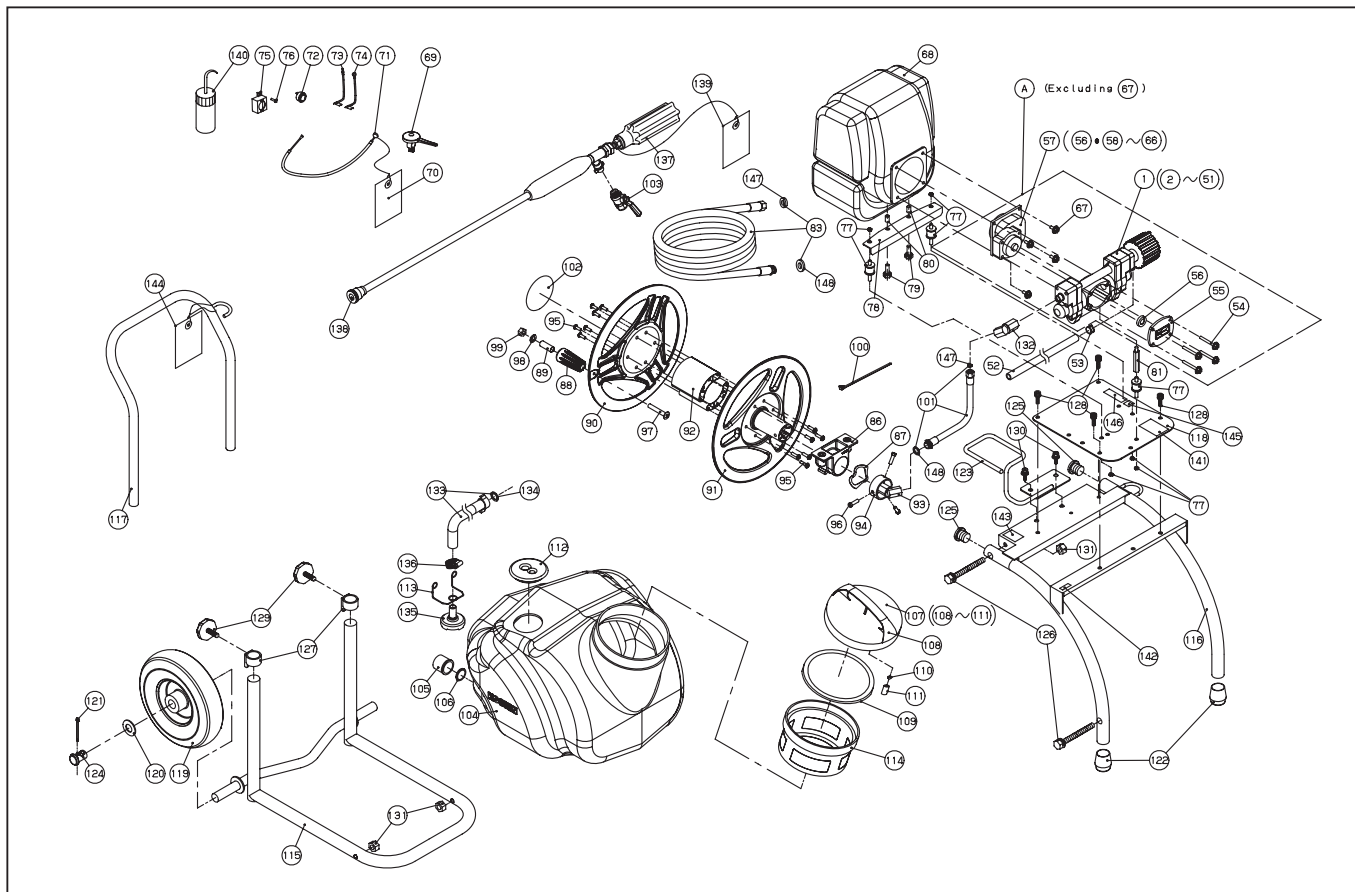


DWG No. 045870102 MODEL:MS-ERH25TH85 FORM: MS-ERH25TH85-BAA

No.	PARTS CODE	PARTS NAME	QTY	MATERIAL	SIZE	REMARKS
122	063020501	Rubber Mount	2	NBR		
123	045234202	Hose Guide	1			
124	045239101	Pipe Pin	2			
125	045191901	Handle Cap	2			
126	743120058	Bolt M8X65	4			
127	045199101	Pipe Cap	2			
128	734620043	Bolt M6X10	4			
129	045197301	Knob Bolt M8X35	2			
130	743119045	Bolt M8X20	2	SWRM	M8X20	
131	827419008	Nut	4			
132	045110401	Invertible Elbow	1			
133	045833102	Suction Hose Assy	1			
134	045144801	Nipple Packing	1			
135	045145001	Strainer	1			
136	045159801	Hose Band	1			
137	045840102	Nozzle Assy	1			
138	045237401	Mist Plate	1			
139	045257601	Nozzle Tag	1			
140	045170001	Engine Oil Bottle	1			
141	045258201	Name Plate	1			
142	011471806	Ce Mark Label	1			
143	011643301	Eu Noise Label(104)	1			
144	045257901	Caution Tag	1			
145	011476201	Engine Caution Label E	1			
146	011473401	Engine Caution Label A	1			
147	045094901	Hose Nipple Packing A	2			
148	045095001	Hose Nipple Packing B	2			
A	045845501	Pump · Reduction Gear Assy	1			No.1,54 ~ 57
	045258001	Operation Manual	1			
	045258401	Declaration Label	1			

◆ Bare engine can not be supplied

MS-ERH25TH85

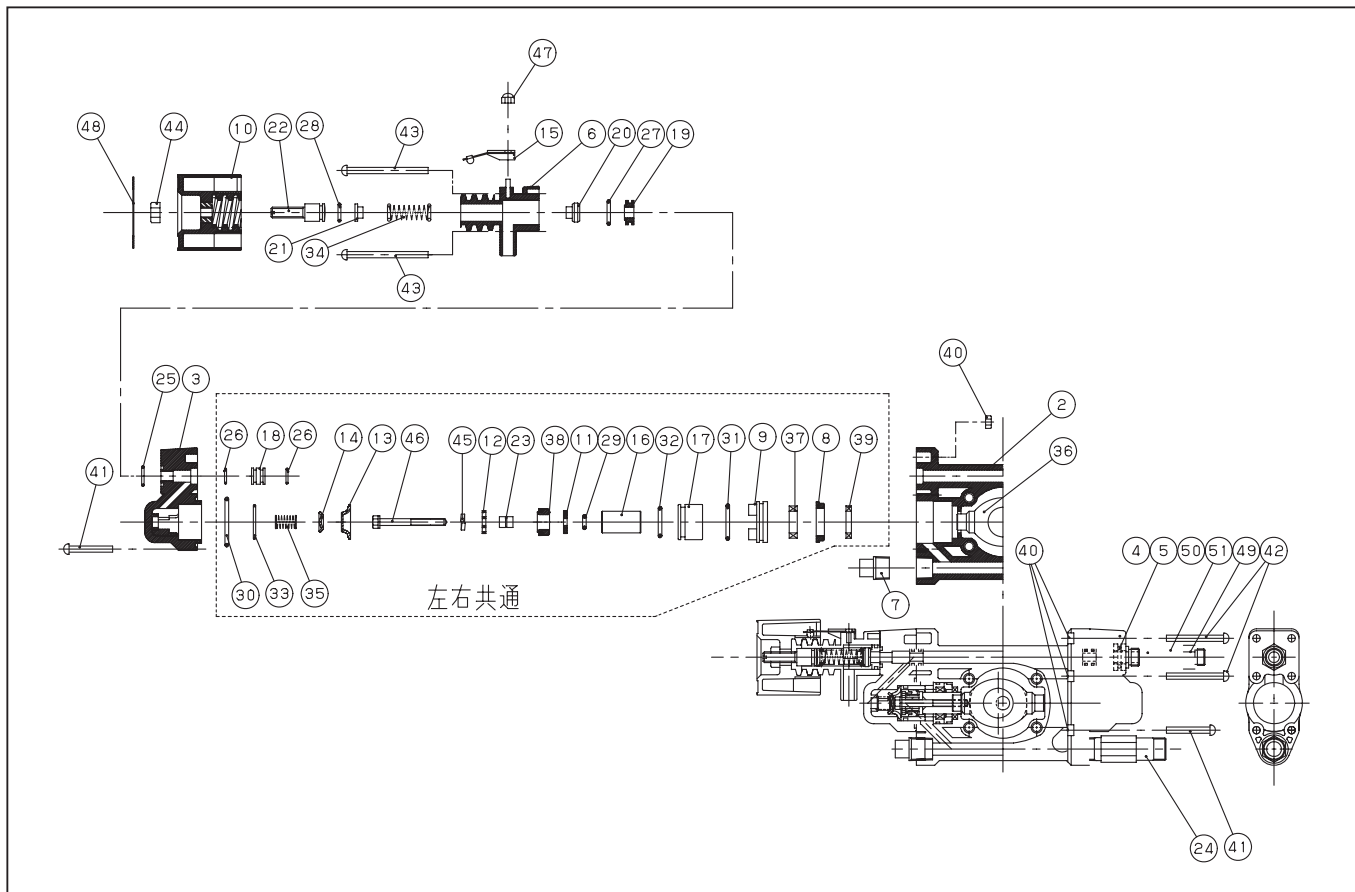


DWG No. 045870102 MODEL:MS-ERH25TH85 FORM: MS-ERH25TH85-BAA

No.	PARTS CODE	PARTS NAME	QTY	MATERIAL	SIZE	REMARKS
	045258101	Packing Case	1			

◆ Bare engine can not be supplied

MS-ERH25TH85

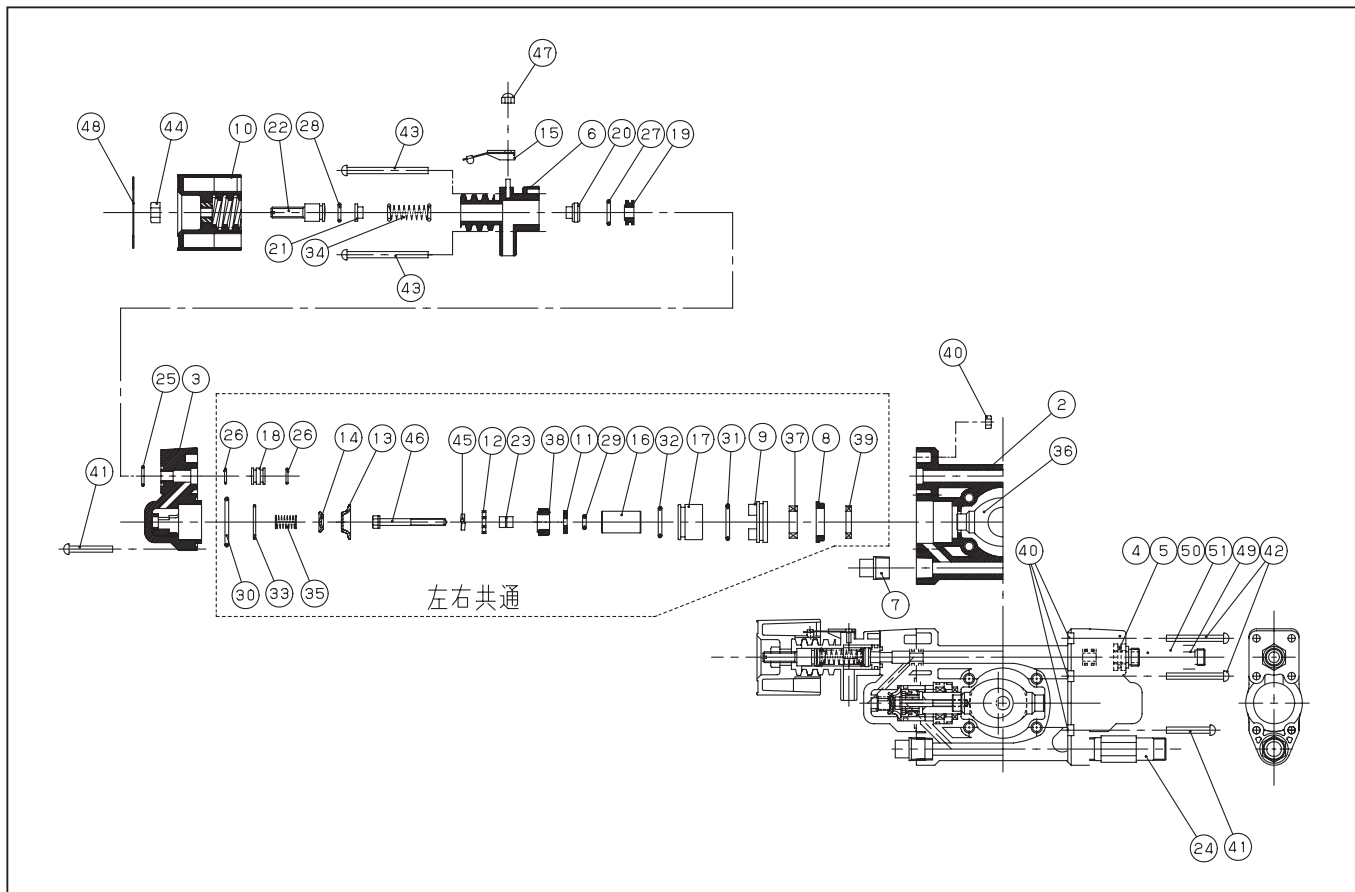


DWG No. 045870102 MODEL:MS-ERH25TH85 FORM: MS-ERH25TH85-BAA

No.	PARTS CODE	PARTS NAME	QTY	MATERIAL	SIZE	REMARKS
2	045127002	Pump Casing	1	PA6		
3	045127101	Piston Case L	1	PA6		
4	045127201	Piston Case R	1	PA6		
5	889857092	O-Ring P11.2	1	P11.2 FKM		
6	045127301	Bypass Case	1	PS6		
7	045127501	Plug	1			
8	045127601	Piston Wheel	2			
9	045127702	Piston Guide	2			
10	045137301	Adjust Handle	1	RED		
11	045130101	Washer,Suction Valve	2	SUS304		
12	045130301	Stopper,Suction Valve	2	SUS304		
13	045130401	Outlet Valve Washer	2	SUS304		
14	045130501	Outlet Valve	2	SUS304		
15	045142601	Handle Hook	1	SUS304+SUS303		
16	045129001	Piston Rod	2			
17	045129101	Cylinder Pipe	2	SUS304		
18	045129401	Joint	2	C3604		
19	045129501	Adjust Valve	1	SUS304		
20	045129601	Spring Washer	1			
21	045145201	Adjust Washer	1	C3604		
22	045129801	Adjust Pole	1	C3604		
23	045130201	Collar,Suction Valve	2	SUS304		
24	045130701	Joint,Suction	1	C3604		
25	889857901	O-Ring P10A	1	P10A FKM		
26	045153801	O-Ring P9	4	P9 FKM		
27	045153901	O-Ring P14	1	P14 FKM		
28	045154001	O-Ring P10	1	P10 FKM		
29	045150701	O-Ring P5 Fkm	2	P5 FKM		
30	890157032	O-Ring S32	2	S32 FKM		
31	045137401	O-Ring φ 26	2	FKM		

◆ Bare engine can not be supplied

MS-ERH25TH85

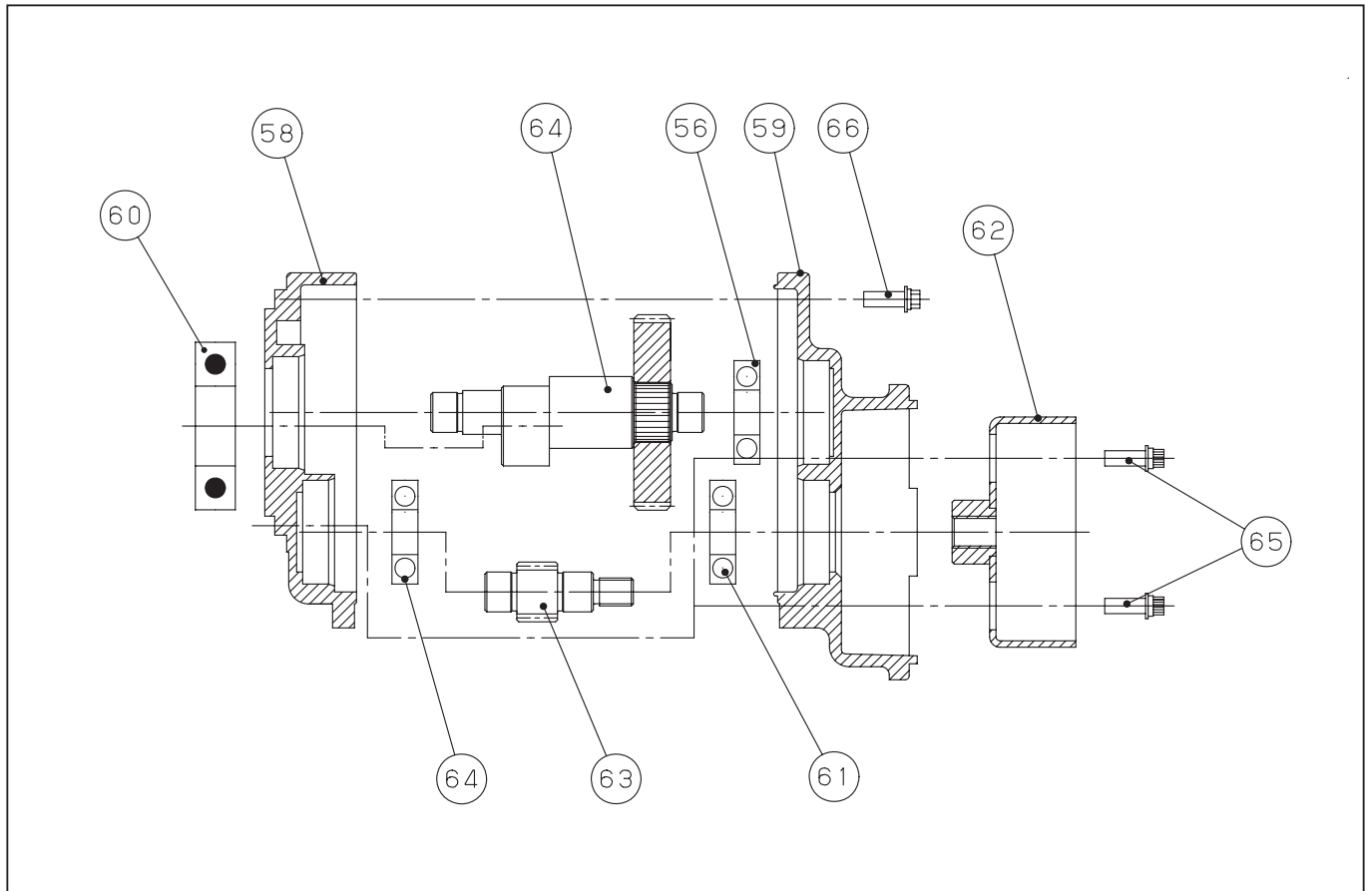


DWG No. 045870102 MODEL:MS-ERH25TH85 FORM: MS-ERH25TH85-BAA

No.	PARTS CODE	PARTS NAME	QTY	MATERIAL	SIZE	REMARKS
32	889857022	O-Ring P22	2	P22 FKM		
33	045137501	O-Ring φ 23	2	φ 23 X φ 1.5 FKM		
34	045148501	Bypass Spring	1	SUS304WPB		
35	045130601	Outlet Valve Spring	2	SUS304WPB		
36	045130001	Pusher	1	FCD450		
37	045133001	Oil Seal A	2	FKM SW16X24X6		
38	045133101	Piston Seal B	2	FKM		
39	045148401	Oil Seal C	2	NBR MHA 16X24X4		
40	827605005	Nut M5	12	SUS	M5	
41	708105052	+Screw M5X35	4	SUS	M5X35	
42	708105078	+Screw M5X45	4	SUS	M5X45	
43	708105079	+Screw M5X60	4	SUS	M5X60	
44	827419008	Nut M8	5	SWRM	M8	
45	844105005	Spring Washer φ 5	2	SUS	φ 5	
46	734305268	Bolt M5X45	2		M5X45X20S	
47	835305004	Nut M4	1	SUS	M4	
48	045161101	Adjust Handle Label	1			
49	045167301	Outlet Adaptor	1	C3604		
50	045167401	Outlet Packing	1	NBR		
51	045094901	Hose Nipple Packing A	1			

◆ Bare engine can not be supplied

MS-ERH25TH85



DWG No. 045870102 MODEL:MS-ERH25TH85 FORM: MS-ERH25TH85-BAA

No.	PARTS CODE	PARTS NAME	QTY	MATERIAL	SIZE	REMARKS
58	045128501	Reduction Gear Case(Front)	1	ADC12		
59	045128603	Reduction Gear Case (Rear)	1			
60	911806014	Bearing	1	6004ZZ		
61	045148001	Bearing	1	6000DDU		
62	045169501	Clutch Drum	1			
63	045133302	Gear	1			
64	045821902	Gear Assy	1			
65	734605049	Bolt M6X20	2	SUS	M6X20	
66	734205047	Socket Bolt M6X16	2	SUS	M6X16	

◆ Bare engine can not be supplied