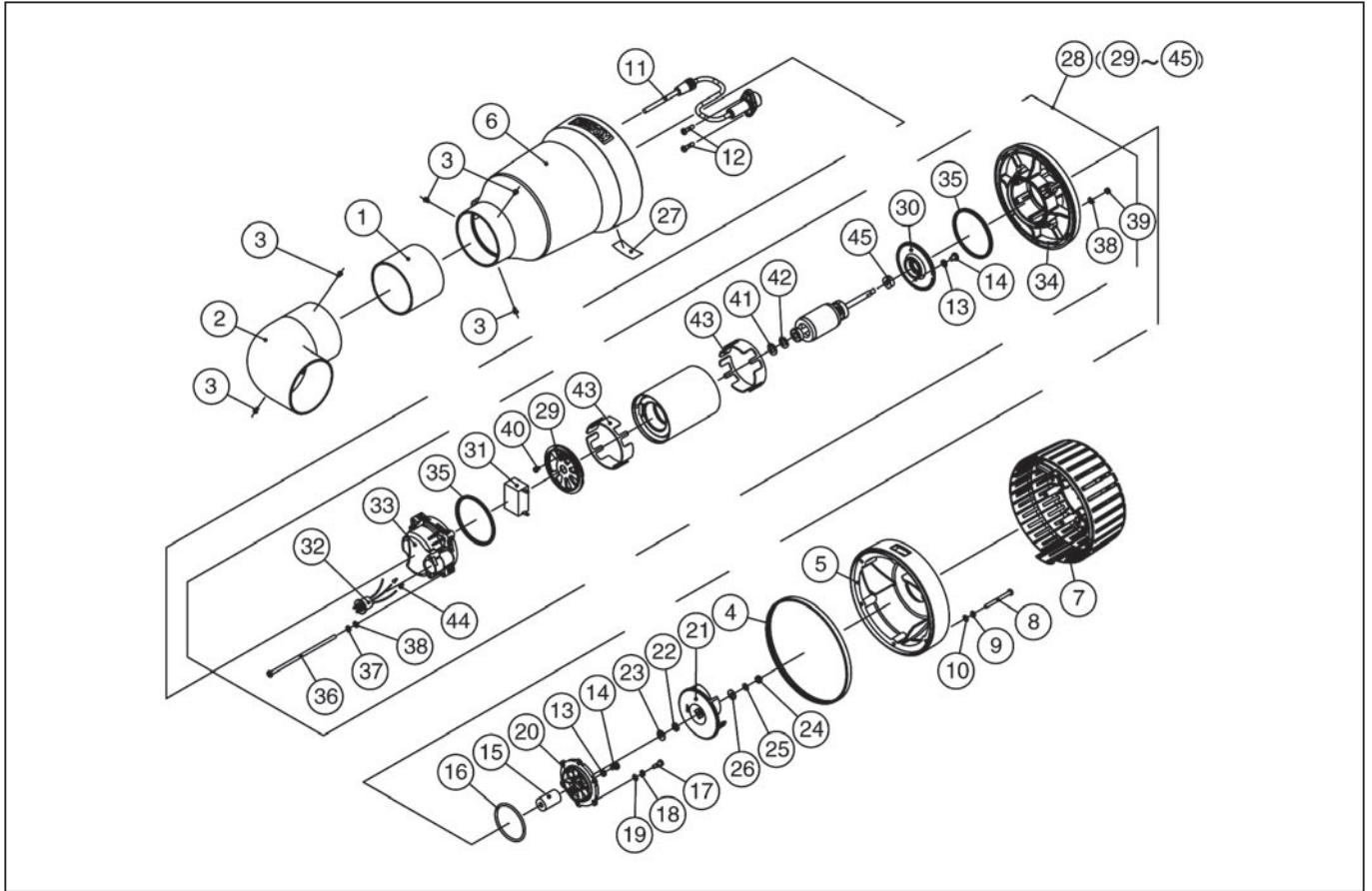


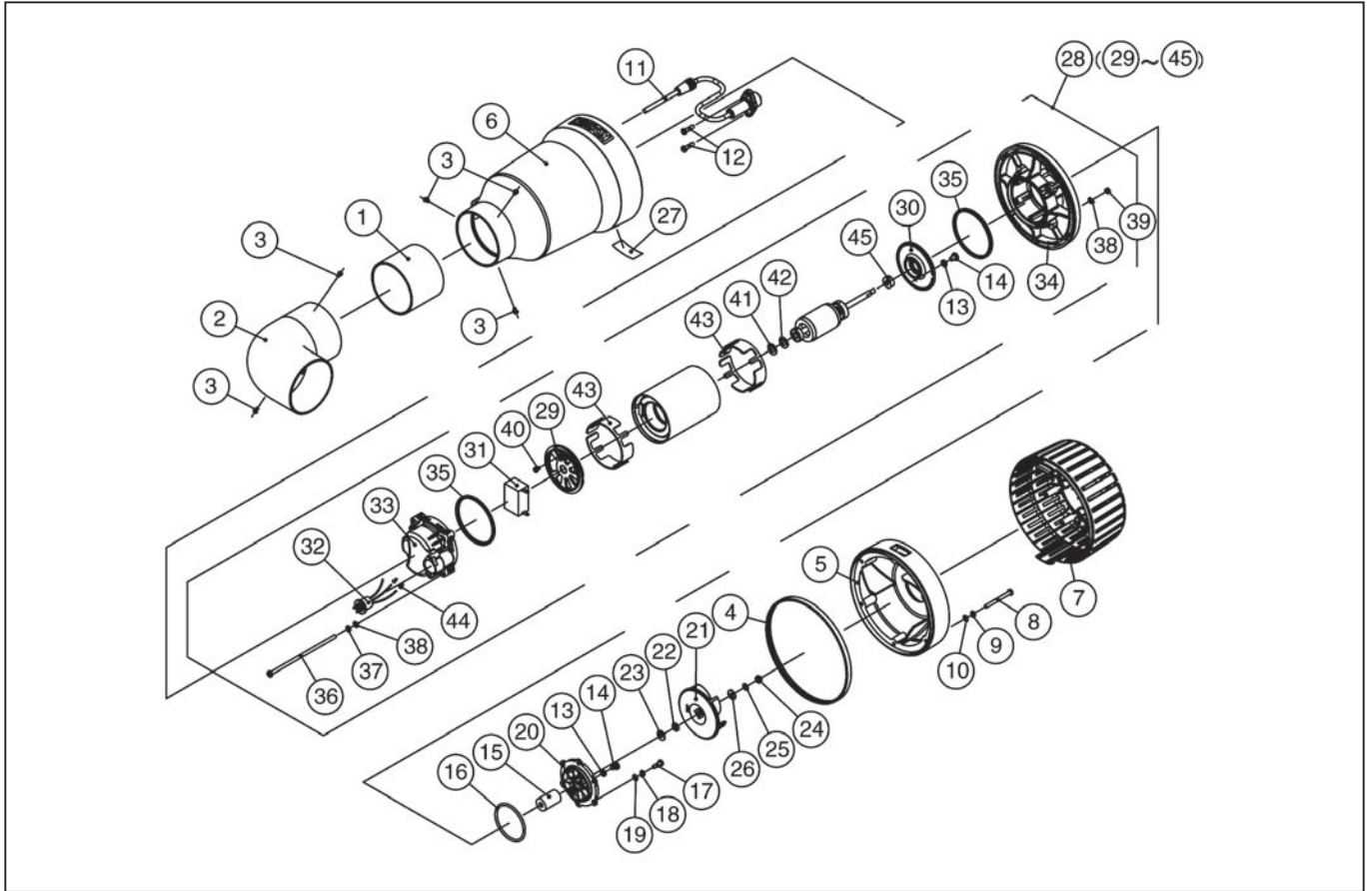
CP-59022



DWG No.034871602 MODEL:CP-59022 FORM:CP-59022-BAA-0

No.	PARTS CODE	PARTS NAME	QTY	MATERIAL	SIZE	REMARKS
1	034135501	CP-90 Delivery Flange Adaptor	1	PVC		
2	034135301	CP-90 Delivery Flange	1	PVC φ 90		
3	718405033	+ Tapping Screw	5	SUS 4 × 6		
4	034135001	CP-90 Casing Packing	1	EPDM		
5	034134901	CP-90 Casing	1	PP		
6	034135201	CP-90 Out Cover	1	PP		
7	034135101	CP-90 Strainer	1	PP		
8	718505071	+ Tapping S c r e w	6	SUS 5 × 55		
9	843805005	Spring Washer	6	SUS φ 5		
10	846005005	Washer	6	SUS φ 5		
11	034133801	CP-90 Power Cord	1	CCC 5m		
12	703305139	+ S c r e w	2	SUS M5 × 18		
13	034014202	SM Seal Ring	2	NBR		
14	034015301	SM + Screw	2	SUS M6 × 8		
15	034095802	Double Mechanical Seal	1			
16	889955060	O Ring	1	G60		
17	703305102	+ S c r e w	6	SUS M5 × 14		
18	843805005	Spring Washer	6	φ 5		
19	846005005	Washer	6	SUS		
20	034134801	CP-90 Mecha Box	1	ABS		
21	034134501	CP-90 50Hz Impeller	1	ABS		
22	034132101	SM-20 Impeller Collar	1	SUS		
23	034115801	SM-25H Impeller Washer	1	SUS		
24	839605006	Nut	1	M6		
25	845205006	Tooth Washer A	1	SUS φ 6		
26	034115202	Washer	1	SUS 6 × 16		
27	034136001	CP-59022 Label	1			
28	034821201	CP-59022 Motor Set.(29 ~ 45)	1			
29	034134301	CP-90 Motor Rear Bracket	1	ADC		
30	034134001	CP-90 Motor Bracket	1	ADC		

CP-59022



DWG No.034871602 MODEL:CP-59022 FORM:CP-59022-BAA-0

No.	PARTS CODE	PARTS NAME	QTY	MATERIAL	SIZE	REMARKS
31	034135601	CP-90 Condenser	1	450VAC 3 μ F		
32	034021902	SM-25 Connector	1			
33	034134201	CP-90 Head Cover	1	PPS		
34	034136801	CP-90 Front Bracket	1	PPS		
35	034134601	CP-90 Frame Packing	2	CR		
36	703305156	+ Screw	4	SUS M5 \times 160		
37	843805005	Spring Washer	4	SUS ϕ 5		
38	846005005	Washer	8	SUS ϕ 5		
39	827405005	Hexagon Nut	4	SUS M5		
40	704119074	+ Screw	1	SWRM M4 \times 8		
41	034109401	Thrust Washer	1			
42	857627608	Wave Washer	1			
43	034134101	CP-90 Motor Supporter	1	PBT		
44	944500002	Solderless Connector	2	CE-2		
45	893555008	Oil Seal	1	NBR SC 8.18.7		