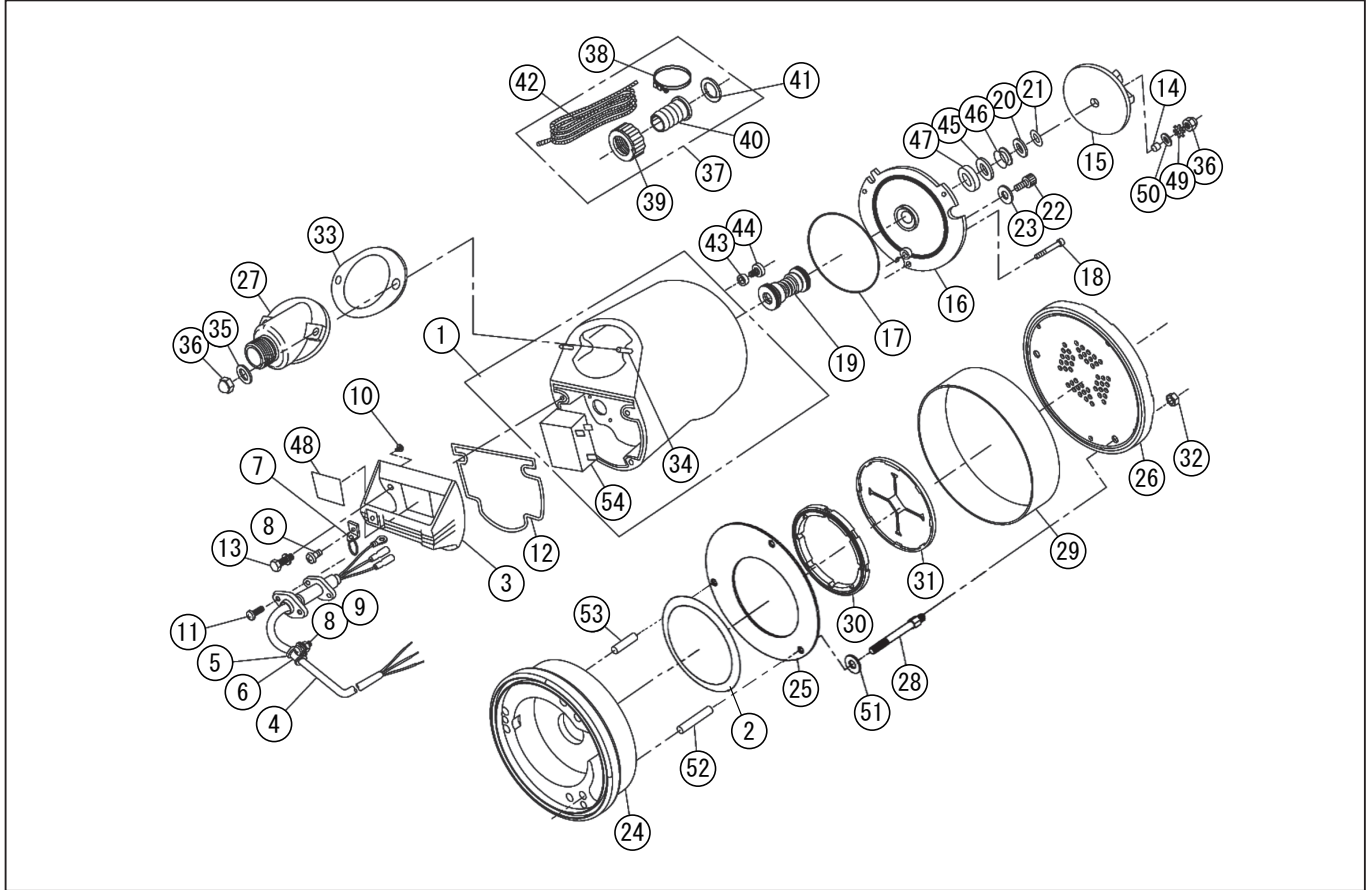


DWG No.043857512 MODELE : PXL-52522 FORM : PXL-52522-BAB-0

No.	PARTS CODE	PARTS NAME	QTY	MATERIAL/SIZE	REMARKS
1	0438099	MOTOR ASSY	1		
2	0430360	SUCTION PACKING	1	NBR	
3	0430404	HANDLE	1		
4	0438105	POWER CORD ASSY	1	H07RN-F 10M	
5	0390031	CORD SUPPORTER	1	CR	
6	0260018	CORD BAND	1	SUS	
7	0438066	CHAIN ASSY	1	SUS	
8	703305100	+SCREW	2	M5×10 SUS	
9	827305005	HEXAGON NUT	1	M5 SUS	
10	707820074	+SCREW	1	M4×6 SWRM	
11	703305102	+SCREW	2	M5×14 SUS	
12	0430284	HEAD PACKING	1	NBR	
13	743605031	HEXAGON BOLT	4	M6×18 SUS	
14	0430441	IMPELLER FIXING BUSH	1	SUS	
15	0430285	IMPELLER	1		
16	0430271	FRONT COVER	1	ADC	
17	889955125	O-RING	1	G125 NBR	
18	734505037	HEXAGON SOCKET BOLT	3	M5×20 SUS	
19	0390003	MECHANICAL SEAL	1	DE560	
20	0430300	IMPELLER WASHER	1	SUS	
21	0390025	IMPELLER ADJUSTING WASHER	2	SUS	
22	0390037	HEXAGON SOCKET BOLT	1	M10×12 SUS	
23	854255010	SEAL WASHER	1	φ 10	
24	0430334	CASING	1		
25	0430329	SUCTION	1	SUS T=2.5	
26	0430241	STRAINER	1	NBR+SUS	
27	0430350	DELIVERY FLANGE	1	ADC	
28	0430242	STUD BOLT	3	SUS	
29	0430236	STRAINER STAND	1	SPCC T=2.5	
30	0430239	SEAL RING	1	NBR	

◆ Bare engine can not be supplied



DWG No.043857512 MODELE : PXL-52522 FORM : PXL-52522-BAB-0

No.	PARTS CODE	PARTS NAME	QTY	MATERIAL/SIZE	REMARKS
31	0430331	ONE WAY CHECK VALVE	1	NBR	
32	827405008	HEXAGON NUT	3	M8 SUS	
33	0430283	DELIVERY PACKING	1	NBR	
34	0430290	STUD BOLT	2	M8×36X11/21	
35	846005008	WASHER	2	φ8 SUS	
36	835305008	HEXAGON CAP NUT	3	M8 SUS	
37	0438080	ACCESSORIES SET	1		
38	940019032	HOSE BAND	1	φ 32	
39	0340781	COUPLING	1	ABS	
40	0340782	HOSE NIPPLE	1	ABS	
41	0340065	COUPLING PACKING	1	CR	
42	0390101	ROPE	1	5M	
43	0340142	SEAL RING	1	NBR	
44	0340153	+SCREW	1	M6×8 SUS	
45	0430301	THRUST WASHER	1	SUS	
46	895154014	OIL SEAL	1	VR14A	
47	0430299	THRUST PACKING	1	CR	
48	0430380	LABEL	1		
49	845305008	TOOTHED WASHER	1	8B SUS	
50	846505008	WASHER	1	φ8-1.6 SUS	
51	854255008	SEAL WASHER	3	φ8	
52	0430361	LONG PIPE	2	SUS	
53	0430362	SHORT PIPE	1	SUS	
54	0430393	CONDENSER	1	8 μ F480VAC	
	0390383	PARAFFIN OIL		230cc	@160/100cc
	0430382	PACKING CASE	1		
	0430368	OPERATION MANUAL	1		
	0430297	LABEL	1		
	0430311	CAUTION LABEL	1		
	0430386	DECLARATION OF CONFIRMITY	1		

◆ Bare engine can not be supplied