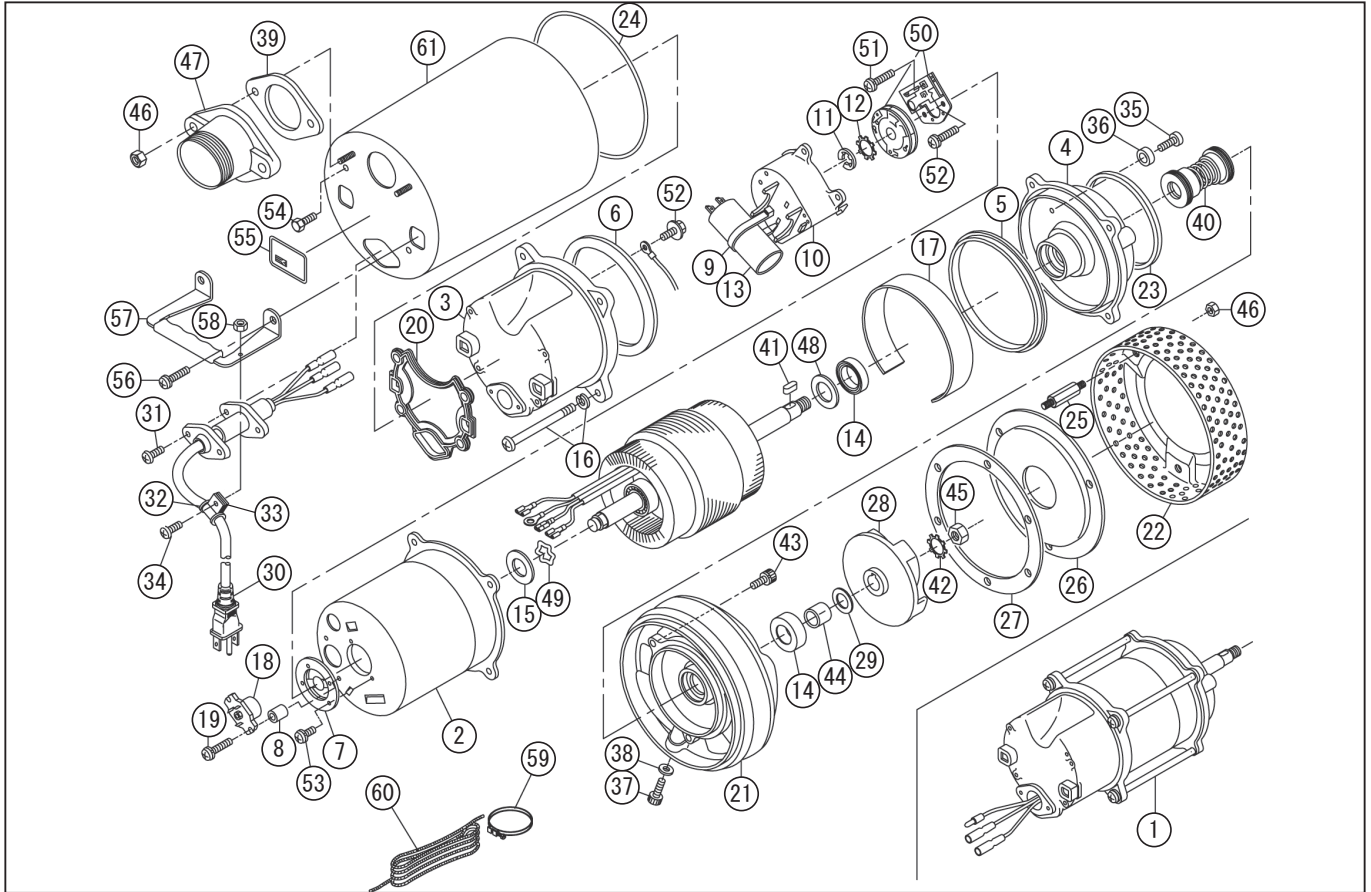


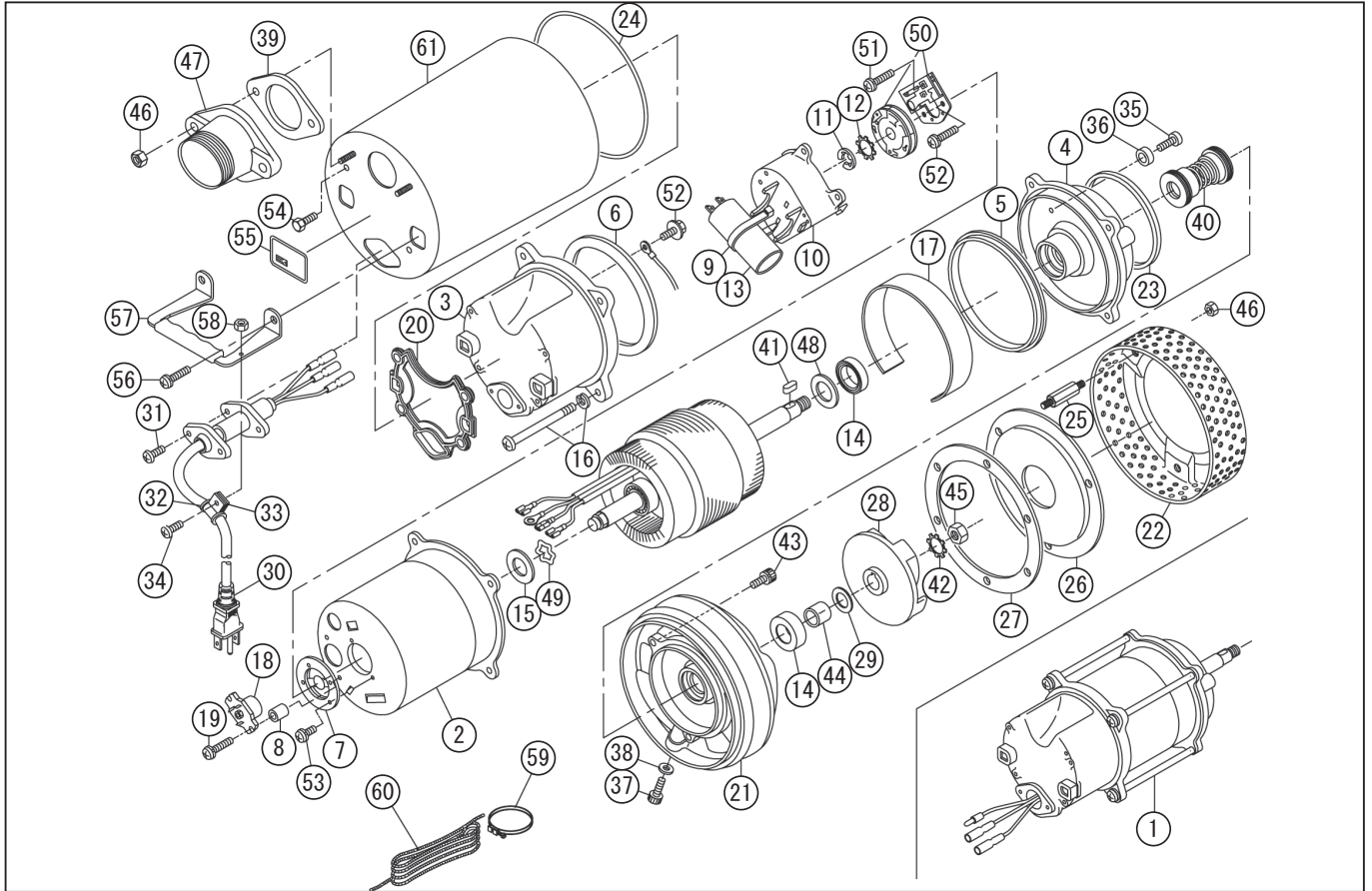
DWG No.0243854124 MODELE : PB-65011 FORM : PB-65011-BAD-3

No.	PARTS CODE	PARTS NAME	QTY	MATERIAL/SIZE	REMARKS
1	043816302	PB-5011 MOTOR SET	1	400W 110V	
2	043046501	PB-50 MOTOR FRAME	1	SPC THB 160.00	
3	043045202	PB-50 HEAD COVER	1	ADC (0430012)	
4	043045301	FRONT BLACKET	1	ADC (0430009)	
5	043045501	PB-50 FRAME PACKING	1	NBR	
6	043045601	PB-50 HEAD PACKING	1	NBR	
7	043046201	BEARING PLATE	1	SPCC	
8	043045701	PB-50 SPACER	2	AL	
9	039014201	PS-40 BAND	1	AB150	
10	043046101	CENTRIFUGAL FORCE SWITCH COVER	1	PBT	
11	039049301	STOP RING	1	8.SK	
12	039049201	PS-40 TOOTHED WASHER	1	ϕ 10	
13	039054001	PS-50 100V-400W CONDENSER	1	125VAC 150 μ F	
14	039048801	OIL SEAL	2	SC.14.28.7 NBR	
15	043008201	WABE HOLDER	1		
16	043046001	+ SCREW	4	M6 \times 145 SUS	
17	043045801	SUPPORTER	1	SPG	
18	039071501	PS-5010 THERMAL PROTECTOR	1	KA142 BAXL43C	
19	039071401	+ SCREW	2	M4 \times 25 SWRM	
20	043056302	OUTER PACKING	1	NBR 75 $^{\circ}$ \pm 3 $^{\circ}$	
21	043013602	CASING	1	ADC	
22	043046301	UNIFIED STRAINER	1	SPCC T2.0	
23	039051801	O-RING	1	G100 NBR	
24	043056401	O-RING	1	ϕ 166 NBR	
25	043056501	STUD BOLT	3	SWRM	
26	039001601	SUCTION COVER	1	SPHC	
27	039050401	SUCTION PACKING	1		
28	039003004	IMPELLER	1	FC	
29	039002501	IMPELLER ADJUSTING WASHER	2	SUS	
30	043057402	POWER CORD	1	6M 3/16 AWG	



DWG No.0243854124 MODELE : PB-65011 FORM : PB-65011-BAD-3

No.	PARTS CODE	PARTS NAME	QTY	MATERIAL/SIZE	REMARKS
31	043041101	+ SCREW M5X14	2	M5×14 SUS	
32	039003101	CORD SUPPORTER	1	CR	
33	026013701	CORD BAND	1	SUS	
34	039048301	+ SCREW M5X10	1	M5×10 SUS	
35	039051401	SCREW M6X8	1	M 6×8 SUS	
36	034014202	SEAL RING	1	NBR	
37	039051601	SOCKET BOLT M10X12	1	M10×12 SUS	
38	039051701	SEAL WASHER	1	φ 10	
39	039055901	DELIVERY PACKING	1	CR	
40	039000302	PS-40 MECHANICAL SEAL(TYPE PS0014)	1		
41	039051901	KEY	1	4 × 4 × 10 SUS	
42	039052001	TOOTHED WASHER	1	SUS	
43	043056801	HEXAGON SOCKET BOLT	3	M 6×20 SUS	
44	043057101	PB-50 SLEEVE	1	SUS	
45	039052301	NUT M10	1	M10 SUS	
46	039052401	NUT M8	5	M8 SUS	
47	043014301	NPT DELIVERY FLANGE	1	FC	
48	039002601	BEARING WASHER	1	SPC	
49	857627023	WAVE WASHER	1	WW-23	
50	039816101	CENTRIFUGAL FORCE SWITH	1		
51	039049801	+ SCREW	2	M3×6 BS	
52	043046701	+SCREW M4*6	5	M 4×6	
53	039049601	+ SCREW	2	M4×10 SWRM	
54	043057001	HEXAGON BOLT	4	M6×12 SUS	
55	043015005	LABEL	1		
56	043056901	+ SCREW	2	M6×16 SUS	
57	043056601	PB-50 HANDLE	1	SPHC T=3.0	
58	043040901	NUT M5	1	M5 SUS	
59	940019060	HOSE BAND	1	φ 60	
60	039010101	ROPE	1	5 m	



DWG No.0243854124 MODELE : PB-65011 FORM : PB-65011-BAD-3

No.	PARTS CODE	PARTS NAME	QTY	MATERIAL/SIZE	REMARKS
61	043000804 039013901	OUT COVER PARAFFIN	1	170cc	

◆ Bare engine can not be supplied