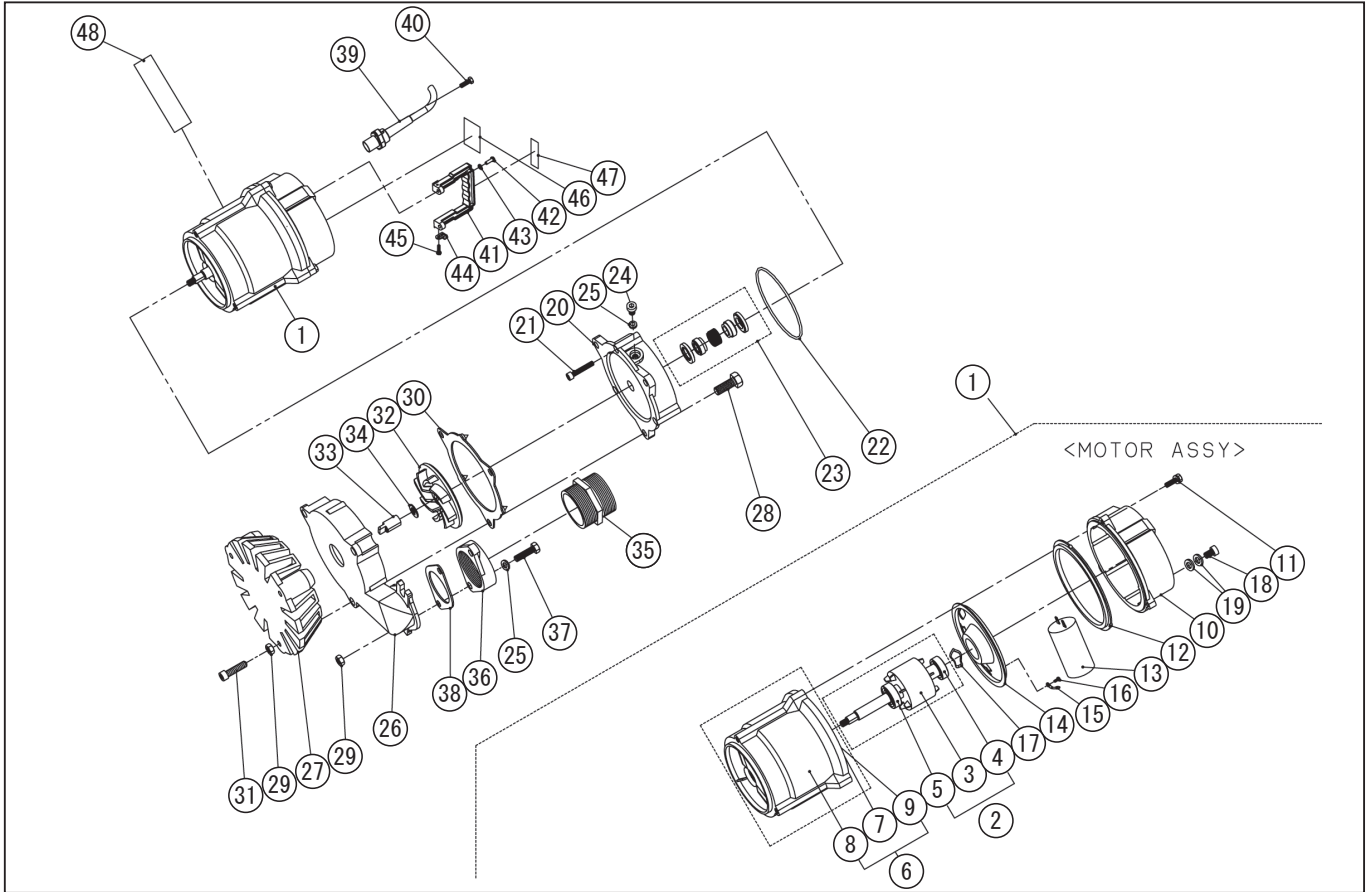


DWG No.077851601 MODELE : PKJR-750 FORM : PKJR-750-BBB-0

No.	PARTS CODE	PARTS NAME	QTY	MATERIAL/SIZE	REMARKS
1	0778057	MOTOR ASSY	1		
2	0778046	ROTOR ASSY	1		
3	0770384	ROTOR	1	SUS	
4	0770346	BEARING (UP)	1		
5	0770345	BEARING (BOTTOM)	1		
6	0778058	STATOR ASSY	1		
7	0770397	STATOR	1		
8	0770398	MOTOR CASING	1	ADC	
9	0770399	OVERLOAD PROTECTOR	1		
10	0770350	UPPER COVER	1	ADC	
11	0770351	SCREW	3	M6X20	
12	0770352	GASKET	1		
13	0770400	CAPACITOR	1		
14	0770354	MOTOR UPPER COVER	1	SS	
15	0770355	EARTH	1	16AWG	
16	0770356	SCREW	1	M4X6	
17	0770357	WAVE WASHER	1	SPRING STEEL	
18	0770358	PLUG	1	M8X12	
19	0770359	WASHER	2	M8	
20	0770360	MOTOR BOTTOM COVER	1	FC 200	
21	0770361	SCREW	3	M6X35	
22	0770381	ORING	1	NBR	
23	0778050	MECHANICAL SEAL	1	C/C,S/S	
24	0770358	PLUG	1	M8X12	
25	0770359	WASHER	3	M8	
26	0770391	PUMP HOUSING	1	FC	
27	0770366	STAND	1	PVC	
28	0770089	SCREW	3	M8X20	
29	0770368	NUT	5	M8	
30	0770392	GASKET	1	NBR	

◆ Bare engine can not be supplied



DWG No.077851601 MODELE : PKJR-750 FORM : PKJR-750-BBB-0

No.	PARTS CODE	PARTS NAME	QTY	MATERIAL/SIZE	REMARKS
31	0770393	SCREW	3	M6X20	
32	0770403	IMPELLER	1	TPU	
33	0770371	AGITATOR	1		
34	0770372	WASHER	2		
35	0770382	DISCHARGE OUTLET	1	2" NPT FC	
36	0770383	FLANGE	1	2" NPT FC	
37	0770373	SCREW	2	M8X35	
38	0770396	GASKET	1	NBR	
39	0778059	CABLE	1	10M	
40	0770374	SCREW	2	M5X15	
41	0770241	HANDLE	1	NYLON	
42	0770375	SCREW	2	M6X15	
43	0770376	WASHER	1	M6	
44	0770308	CABLE CLAMPS	1	UC1.5 NYLON	
45	0770178	SCREW	1	M5X12	
46	0770299	PKJR-750 NAME PLATE LABEL	1	PET	
47	0770306	CAUTION LABEL	1	POLYESTER	
48	0770303	LOGO LABEL	1	PET	
	0770076	PKJR-750 PACKING CASE	1		
	0778064	MANUAL ASSY	1		
	0770053	MANUAL	1		
	0770060	PKJR SPECIFICATION	1		

◆ Bare engine can not be supplied