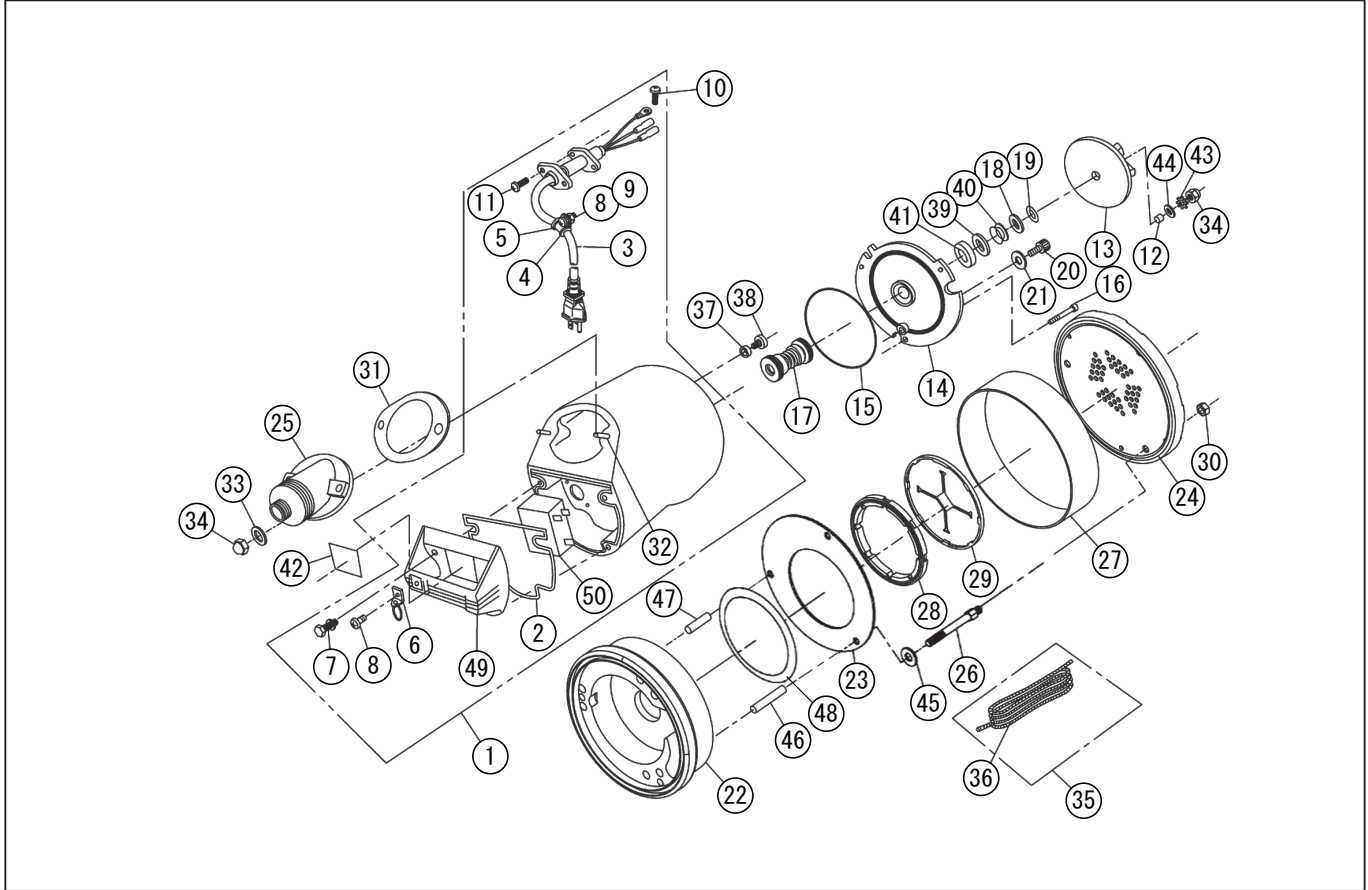


DWG No.043857010 MODELE : PXL-65011 FORM : PXL-65011-BAB-0

No.	PARTS CODE	PARTS NAME	QTY	MATERIAL/SIZE	REMARKS
1	0438101	400W MOTOR ASSY	1		
2	0430401	HEAD PACKING	1		
3	0430308	POWER CORD	1	STW WA 3/16AWG	
4	0390031	CORD SUPPORTER	1		
5	0260018	CORD BAND	1		
6	0438092	CHAIN ASSY	1		
7	0430406	HEXAGON BOLT	4	M6×18 SUS	
8	0390483	+SCREW	2	M5×10 SUS	
9	0430409	HEXAGON NUT	1	M5 SUS	
10	0430410	+SCREW	1	M4×6 SWRM	
11	0430411	+SCREW	2	M5×14	
12	0430441	IMPELLER FIXING BUSH	1	SUS	
13	0430280	IMPELLER	1		
14	0430271	FRONT COVER	1	ADC	
15	889955125	O-RING	1	G125 NBR	
16	734505037	HEXAGON SOCKET BOLT	3	M5×20 SUS	
17	0390003	MECHANICAL SEAL	1	DE560	
18	0430300	IMPELLER WASHER	1	SUS	
19	0390025	IMPELLER ADJUSTING WASHER	2	SUS	
20	0390037	HEXAGON SOCKET BOLT	1	M10×12 SUS	
21	854255010	SEAL WASHER	1	φ 10	
22	0430334	CASING	1		
23	0430329	SUCTION	1	T=2.5 SUS	
24	0430241	STRAINER	1	NBR+SUS	
25	0430367	DELIVERY FLANGE	1	FC	
26	0430242	STUD BOLT	3	SUS	
27	0430236	STRAINER STAND	1	T=2.5 SPCC	
28	0430239	SEAL RING	1	NBR	
29	0430331	ONE WAY CHECK VALVE	1	NBR	
30	827405008	HEXAGON NUT	3	M8 SUS	

◆ Bare engine can not be supplied



DWG No.043857010 MODELE : PXL-65011 FORM : PXL-65011-BAB-0

No.	PARTS CODE	PARTS NAME	QTY	MATERIAL/SIZE	REMARKS
31	0430283	DELIVERY PACKING	1	NBR	
32	0430290	STUD BOLT	2	M8×36×11/21	
33	846005008	WASHER	2	φ8 SUS	
34	835305008	HEXAGON CAP NUT	3	M8 SUS	
35	0438079	ACCESSORIES SET	1		
36	0390101	ROPE	1	5 m	
37	0340142	SEAL RING	1	NBR	
38	0340153	+SCREW	1	M6×8 SUS	
39	0430301	THRUST WASHER	1	SUS	
40	895154014	OIL SEAL	1	VR14A	
41	0430299	THRUST PACKING	1	CR	
42	0430366	LABEL	1		
43	845305008	TOOTHED WASHER	1	8B SUS	
44	846505008	WASHER	1	φ8-1.6 SUS	
45	854255008	SEAL WASHER	3	φ8	
46	0430361	LONG PIPE	2	SUS	
47	0430362	SHORT PIPE	1	SUS	
48	0430360	SUCTION PACKING	1	NBR	
49	0430404	HANDLE	1		
50	0430392	CONDENSER	1		
	0390383	PARAFFIN OIL		230cc	@160/100cc
	0430363	PACKING CASE	1		
	0430365	OPERATION MANUAL	1		
	0430297	LABEL	1		
	0430311	CAUTION LABEL	1		
	0430314	CAUTION LABEL	1		

◆ Bare engine can not be supplied