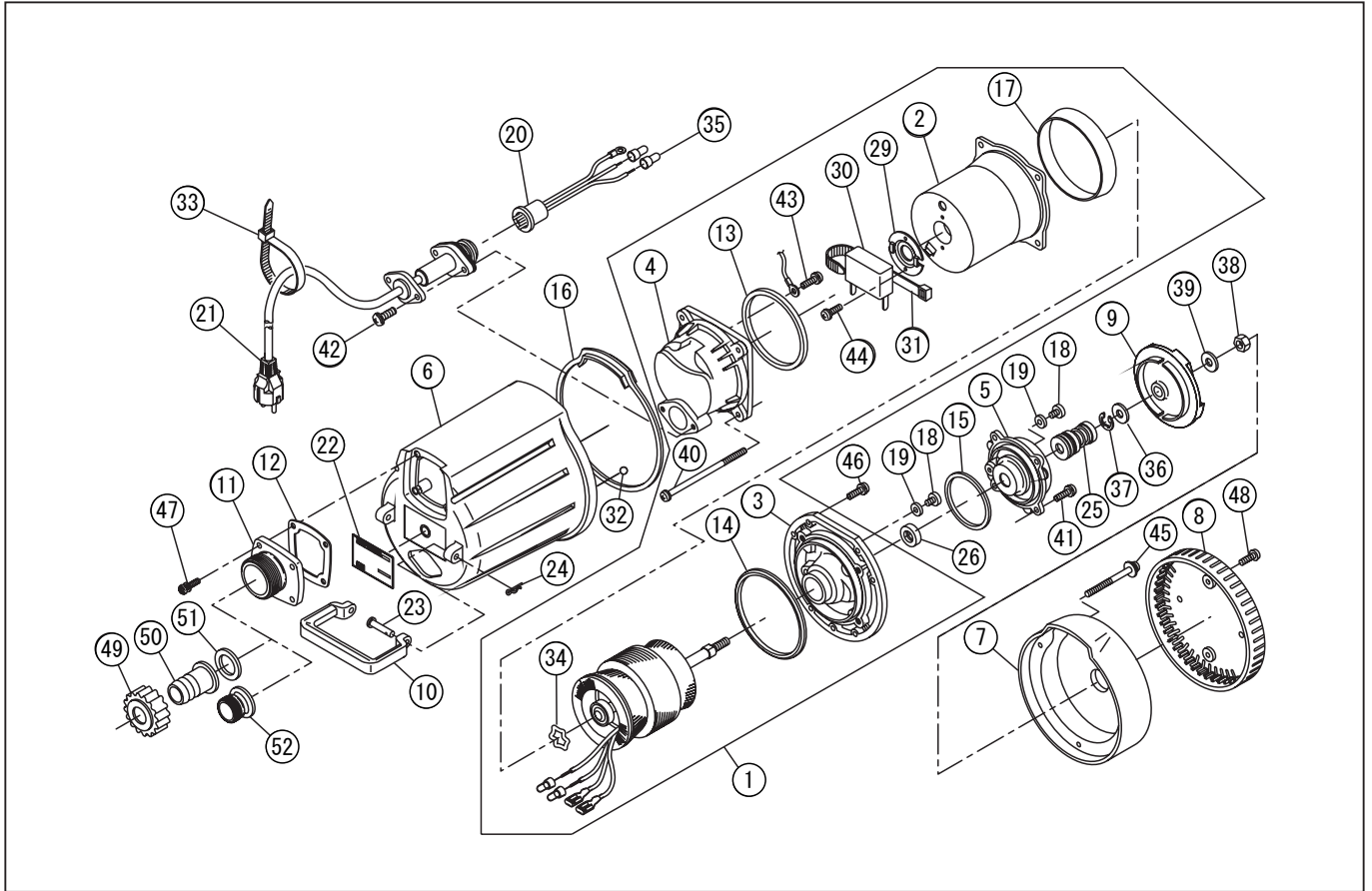


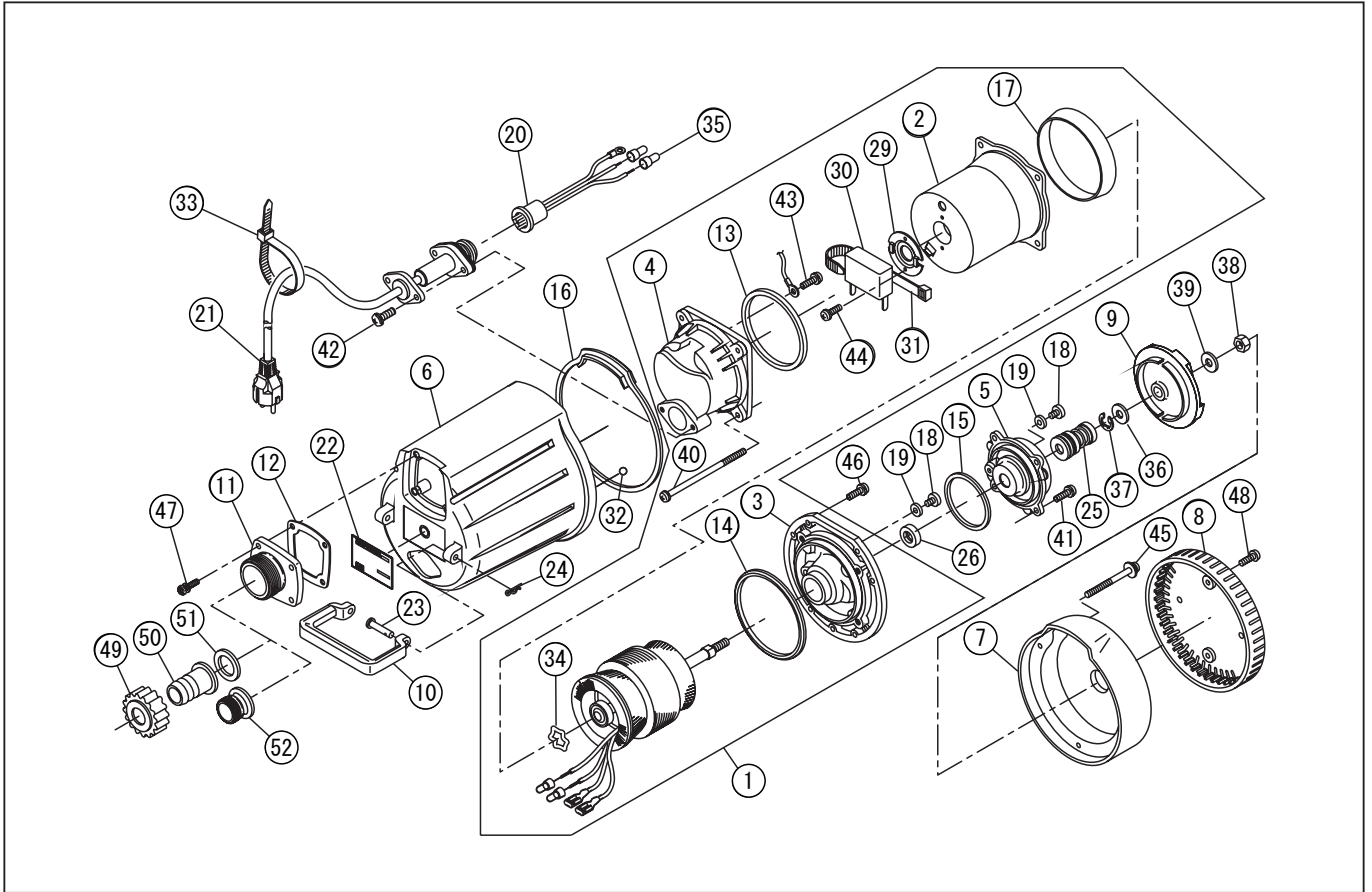
SM-62511



DWG No. 034856310 MODEL: SM-62511 FORM:SM-62511-BAB

No.	PARTS CODE	PARTS NAME	QTY	MATERIAL	SIZE	REMARKS
1	034806104	Motor Assy	1			
2	034019002	Motor Frame	1			
3	034018806	Front Bracket	1			
4	034018905	Head Cover	1			
5	034018707	Mecha Box	1	PBT		
6	034019804	Out Cover	1	ABS		
7	034002002	Casing	1	ABS		
8	034004305	Strainer	1	ABS		
9	034021402	Impeller	1	ADC		
10	034016005	Handle	1	ABS		
11	034019303	Delivery Flange	1	ABS		
12	034004001	Flange Packing	1	CR+NBR		
13	034020703	Head Packing	1			
14	034020503	Frame Packing	1			
15	034020901	Mecha Packing	1	NBR		
16	034024304	Casing Packing	1	CR+NBR		
17	034024101	Motor Supporter	1	SPG		
18	034015301	+ Screw M6X8	2	SUS	M6X8	
19	034014202	Seal Ring	2	NBR		
20	034021902	Connector	1			
21	034049402	Power Cord	1		8FT	
22	034048303	Name Label	1			
23	034016202	Rivet	2	AL		
24	034011402	Snap Pin	2	SUS		
25	034001204	Mechanical Seal	1			
26	893555008	Oil Seal	1	NBR	SC.8.18.7	
29	034021701	Bearing Plate	1			
30	034105101	Condenser	1			
31	034109201	Band	1			
32	034026501	Ball	1	SUS		

SM-62511



DWG No. 034856310 MODEL: SM-62511 FORM:SM-62511-BAB

No.	PARTS CODE	PARTS NAME	QTY	MATERIAL	SIZE	REMARKS
33	034022701	Band	1	CV-125		
34	857627608	Wave Washer	1			
35	944500002	Terminal	2			
36	014025103	Adjusting Washer	1	BS		
37	888705006	Stop Ring	1	6 SUS		
38	827405006	Nut M6 M6	1		M6	
39	845205006	Tooth Washer A Φ 6	1	SUS	φ 6	
40	707805077	+ Screw M5X100	4	SUS		
41	707805046	+ Screw M5X12	4	SUS	M5X12	
42	703305139	+ Screw M5X18	2	SUS	M5X18	
43	707819036	+ Screw M4X8	1	SUS	M4X8	
44	707816018	+ Screw M3X6	2	SUS	M3X6	
45	034059701	SM Tapping Screw M5X62X29	3	SUS	M5X62X29	
46	034014302	+ Tapping Screw M5X22	6	SUS	M5X22	
47	034022301	+ Tapping Screw M5X20	4	SUS	M5X20	
48	718505054	+ Tapping Screw 5X14	2	SUS	5X14	
49	034079302	Coupling	1	ABS		
50	034079202	Hose Nipple	1	ABS		
51	034006601	Coupling Packing	1	CR+NBR		
52	034079102	32X20 Screw Nipple	1	ABS		
	034029901	Grease	1			
	034030001	Silicon Oil	1			